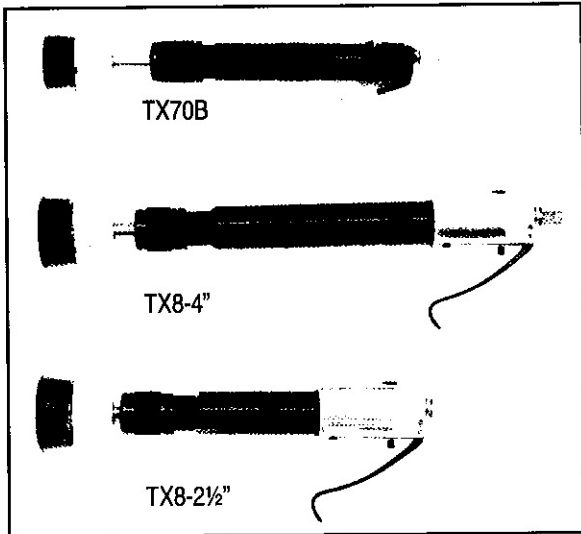


Foundry Tools

TX70B Sand Rammer / TX-8 Bench Rammers



- ★ *Made in the U.S.A.*
- ★ *High performance with minimum operator fatigue.*
- ★ *Easy start and stop features.*
- ★ *Lightweight rugged construction.*
- ★ *Adjustable packing gland.*
- ★ *Fast hitting.*
- ★ *Greatly improves the quality of casting in all types of foundry applications.*

2

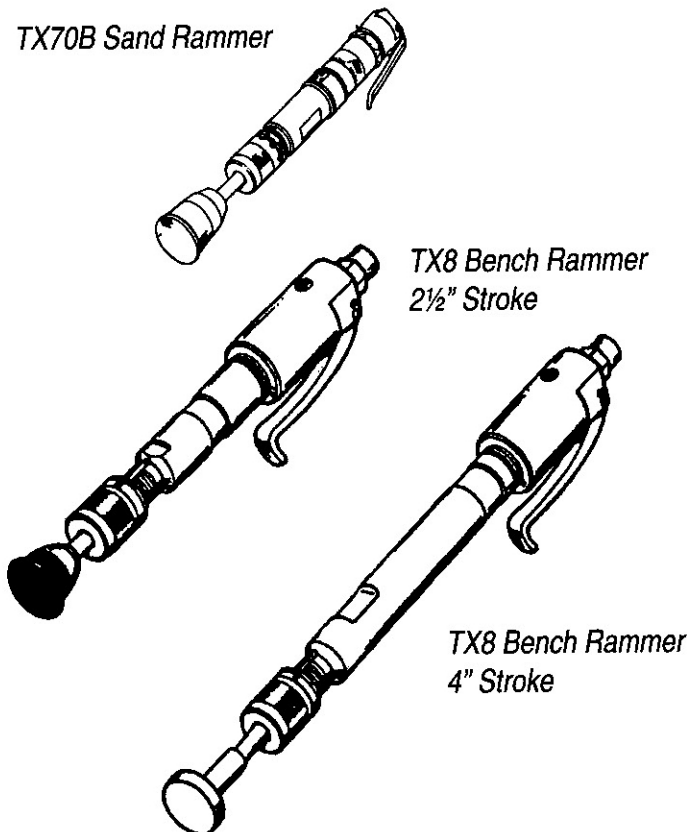
Tool Applications:

- *Packing sand.*
- *Packing plastic alumnae in fire walls.*
- *Packing cast stone.*

The Texas Pneumatic rammers are proven in the field. They have a smooth-finished, black oxidized body. They are tough, yet easy to handle.

These rammers can be used in various applications for foundry purposes, as well as construction-related areas.

TX70B Sand Rammer



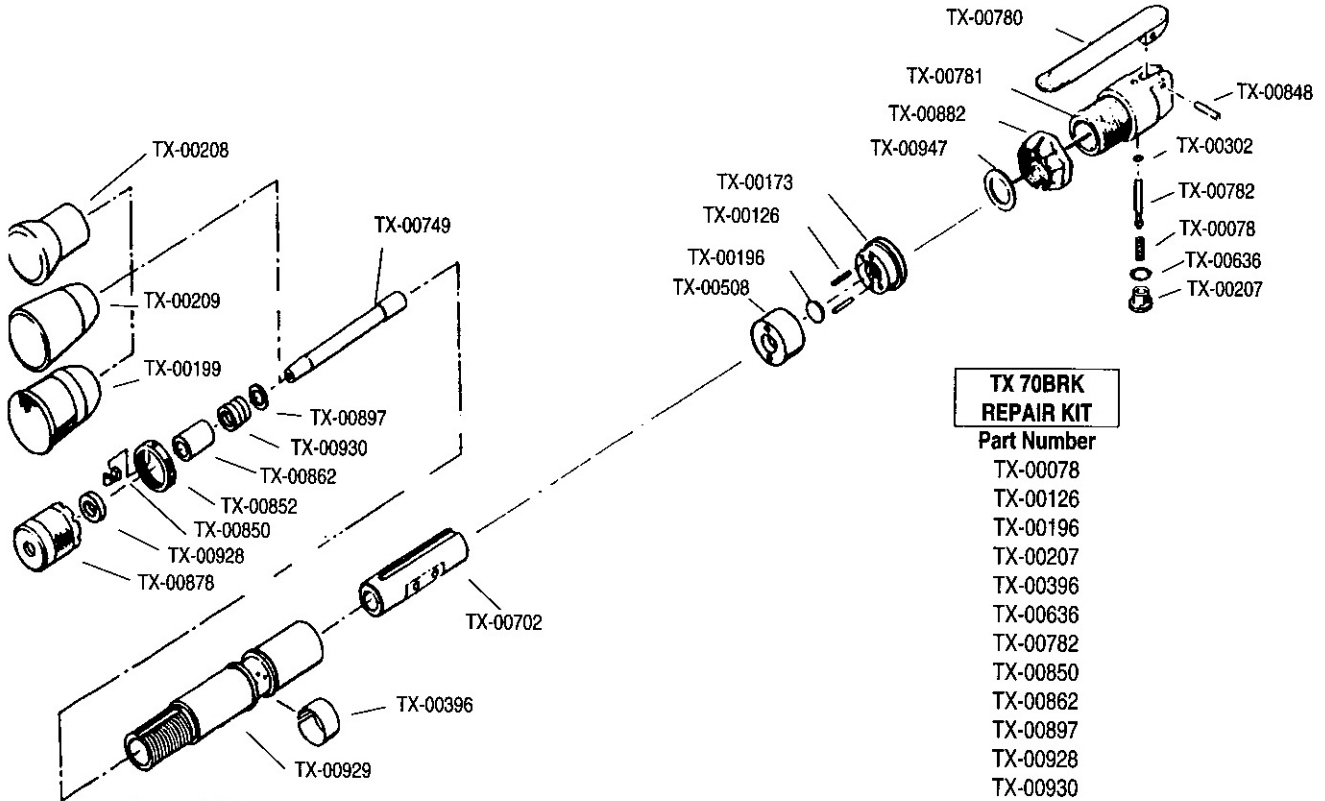
SPECIFICATIONS:

TX70B SAND RAMMER		
CFM CONSUMED	15 cfm	
STROKE	2"	
WEIGHT	6 lbs. 8 oz.	
BORE	1"	
BPM	1500	
TAPER	802	
INLET	1/4" NPT	
MIN. HOSE SIZE	3/8"	
OAL INCLUDING BUTT	16"	
TX8 BENCH RAMMERS		
CFM CONSUMED	13 cfm	19 cfm
STROKE	2 1/2"	4"
WEIGHT	7 lbs.	10 lbs.
BORE	1"	1"
BPM	1725	1240
TAPER	802	802
INLET	3/8"	3/8"
MIN. HOSE SIZE	1/2"	1/2"
OAL INCLUDING BUTT	16-1/2"	21-1/2"

Foundry Tools

TX70B Sand Rammer

2



Part List

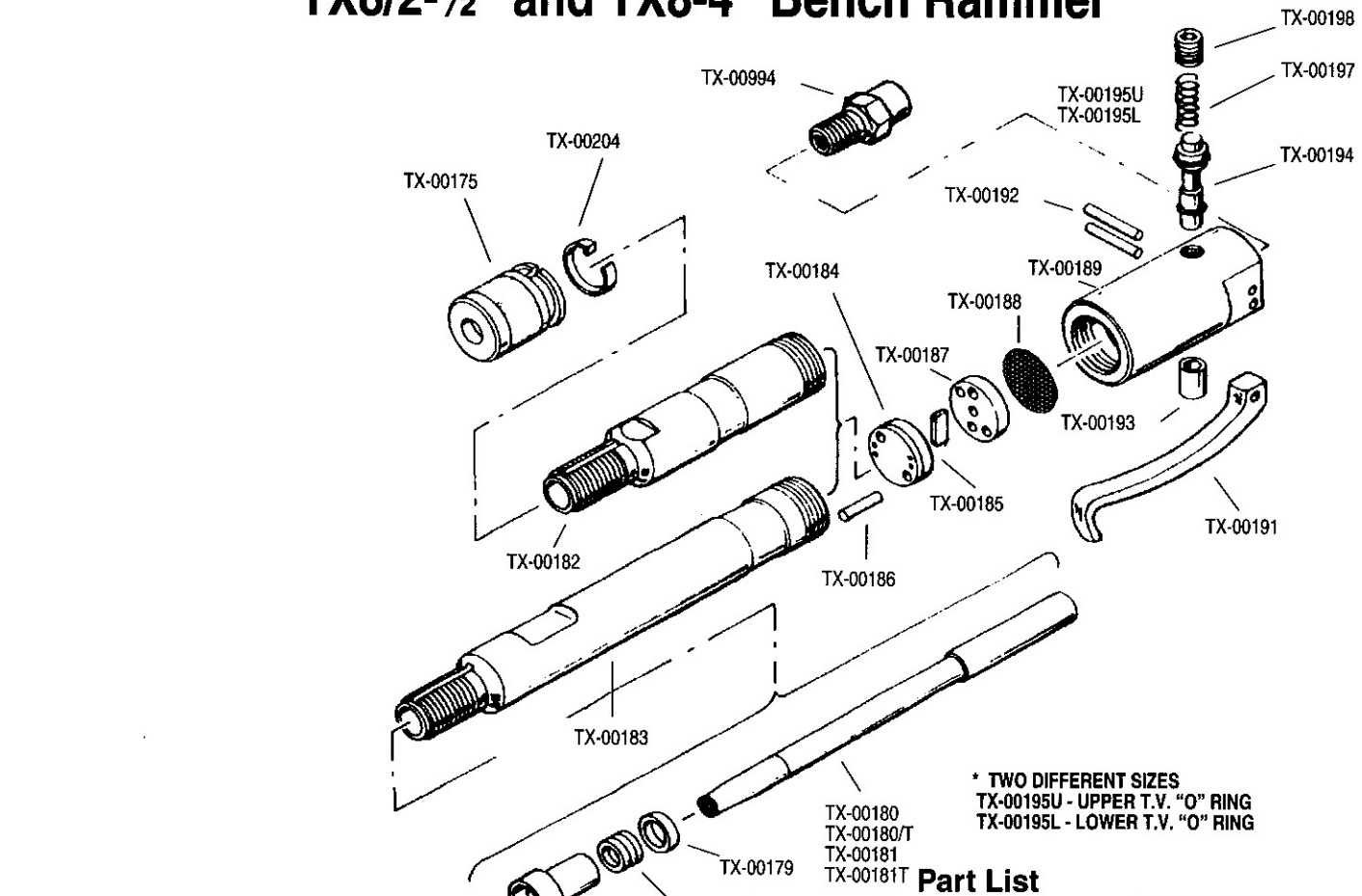
PART #	DESCRIPTION
TX-70B	
TX-00078	THROTTLE VALVE SPRING
TX-00126	VALVE BLOCK DOWEL PIN
TX-00173	VALVE BLOCK BUTTON
TX-00196	FLUTTER VALVE
TX-00199	2-3/8" ALUMINUM RUBBER BUTT
TX-00207	THROTTLE VALVE CAP
TX-00208	2-3/4" OPEN HEARTH BUTT
TX-00209	2-3/8" ALL ALUMINUM BUTT
TX-00302	THROTTLE VALVE "O" RING
TX-00396	EXHAUST DEFLECTOR
TX-00508	VALVE BLOCK
TX-00636	THROTTLE VALVE GASKET
TX-00702	CYLINDER SLEEVE
TX-00749	PISTON
TX-00780	THROTTLE LEVER
TX-00781	BACKHEAD
TX-00782	THROTTLE VALVE
TX-00848	THROTTLE LEVER PIN
TX-00850	LOCKING KEY
TX-00852	LOCK NUT
TX-00862	PACKING GLAND
TX-00878	PACKING GLAND NUT
TX-00882	BACKHEAD LOCK RING
TX-00897	PACKING WASHER
TX-00928	PACKING GLAND SEAL
TX-00929	BARREL
TX-00930	PACKING
TX-00991	3/8" X 1/4" INLET BUSHING

CLECO OB RAMMER

831088	BARREL WITH SLEEVE
831285	PACKING
832078	THROTTLE VALVE SPRING
832126	VALVE BLOCK DOWEL PIN
832173	VALVE BLOCK BUTTON
832196	FLUTTER VALVE
832207	THROTTLE VALVE CAP
832233	LOCKING KEY
832508	VALVE BLOCK
832636	THROTTLE VALVE GASKET
832702	BARREL SLEEVE
832749	PISTON
832855	LOCK NUT
832862	PACKING GLAND
832878	PACKING GLAND NUT
832897	PACKING WASHER
832928	PACKING GLAND SEAL
834780	THROTTLE LEVER
834782	THROTTLE VALVE W/ "O" RING
841553	3/8" X 1/4" INLET BUSHING
842396	EXHAUST DEFLECTOR
844302	"O" RING

Foundry Tools

TX8/2-1/2" and TX8-4" Bench Rammer



* TWO DIFFERENT SIZES
TX-00195U - UPPER T.V. "O" RING
TX-00195L - LOWER T.V. "O" RING

Part List

TPT#	BLACK & DECKER 5200 & 5205	DESCRIPTION
TX-00175	695549	PACKING NUT
TX-00176	700073	ROD FRONT SEAL
TX-00177	695550	PACKING GLAND BUSHING (4")
TX-00178	695552	PACKING
TX-00179	695551	PACKING GLAND WASHER
TX-00180	695556	2-1/2" STROKE PISTON
TX-00180/T		PISTON W/ THREAD; 2-1/2" STROKE
TX-00181	695525	4" STROKE PISTON
TX-00182	695564	2-1/2" STROKE CYLINDER
TX-00183	695531	4" STROKE CYLINDER
TX-00184	695534	VALVE BLOCK
TX-00185	695532	VALVE
TX-00186	695537	VALVE BLOCK DOWEL PIN
TX-00187	695533	VALVE BLOCK LID
TX-00188	695538	SCREEN
TX-00189	695539	BACKHEAD
TX-00191	695542	LEVER
TX-00192	695773	THROTTLE LEVER PIN
TX-00193	695546	THROTTLE VALVE BUSHING
TX-00194	695545	THROTTLE VALVE + "O" RING
TX-00195		THROTTLE VALVE "O" RINGS*
TX-00197	695547	THROTTLE VALVE SPRING
TX-00198	696078	THROTTLE VALVE SPRING PLUG
TX-00199		2-3/8" ALUMINUM RUBBER BUTT
TX-00200		3" ALUMINUM RUBBER BUTT
TX-00201		2-1/2" STEEL BUTT
TX-00202		STEEL BUTT (THREADED)
TX-00203		STEEL BUTT SOCKET SCREW
TX-00204	695553	PACKING NUT LOCK CLIP
TX-00205	695566	PACKING GLAND BUSHING (2-1/2")
TX-00208		2-3/4" OPEN HEARTH BUTT
TX-00209		2-3/8" ALL ALUMINUM BUTT
TX-00210		3" ALL ALUMINUM BUTT
TX-00211		2-5/8" SQUARE ALUMINUM BUTT
TX-00994		1/2" X 3/8" INLET BUSHING