

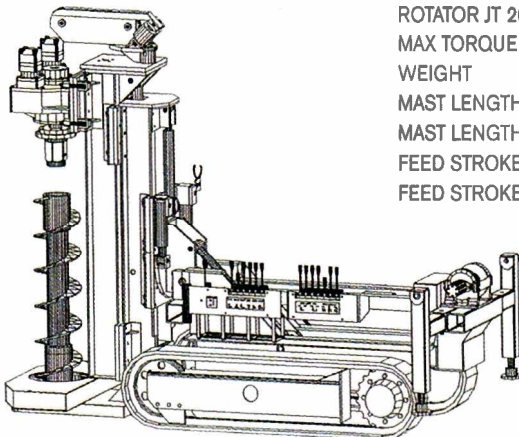
TD 610 MINI PILING RIG

The TD 610 is a very powerful and versatile mini piling rig. Although primarily designed for restricted access sites, its mobility and high power mean that it is also at home drilling up to 600 mm diameter piles on open sites. It offers the flexibility of a telescopic mast and can utilise a variety of drilling systems and alternative rotation units.

It is a rotary rig for use with augers, temporary casings and down the hole hammers. The JT 203 rotation unit makes it possible to pump grout and/or concrete through the hollow stem auger system whilst the auger is still rotating.



TD 610 - Specifications



HEIGHT - DRILLING (MAST EXTENDED INCLUDING WINCH JIB ARM)	3500 MM	11'6"
HEIGHT - DRILLING (MAST CLOSED WINCH JIB ARM REMOVED)	2200 MM	7'3"
MAX HEIGHT WHEN TRACKING	1905 MM	6'3"
MIN WIDTH	750 MM	2'6"
MAX WIDTH	1000 MM	3'7"
LENGTH - DRILLING	2970 MM	9'9"
RECOMMENDED DRILL TUBE LENGTH	2000 MM	MAX OR 5'
RECOMMENDED DRILL TUBE LENGTH (MAST CLOSED)	1000 MM	OR 3'
ROTATOR JT 203 TWO SPEED	0 - 100 RPM	
MAX TORQUE	10,000 NM	7375 FT. LBF
WEIGHT	3550 KGS	7830 LBS
MAST LENGTH (CLOSED)	2200 MM	7'3"
MAST LENGTH (EXTENDED)	3200 MM	10'6"
FEED STROKE (CLOSED)	1400 MM	4'7"
FEED STROKE (EXTENDED)	2400 MM	7'10"
RECOMMENDED DRILL TUBE LENGTH	1000 MM	OR 3'
ROTATOR JT 202 TWO SPEED	0 - 130 RPM	
PULL UP ON MAIN RAM	6000 KGS 1	3,200 LBS
PUSH DOWN	6000 KGS	13,200 LBS
MAST ANGLE FRONT / REAR	+5° -	90°
TRACK WIDTH ADJUSTMENT HYDRAULIC SPOOL		
CONTROLS ON SWINGING ARM HYDRAULIC		
STABILIZERS AT REAR OF RIG WINCH	3600KG PULL	7900LBS

AMPLUS LTD

Foundation and Geotechnical Specialists

Tel: 01534 863545 Fax: 01534 862474 web: www.AmplusLtd.com