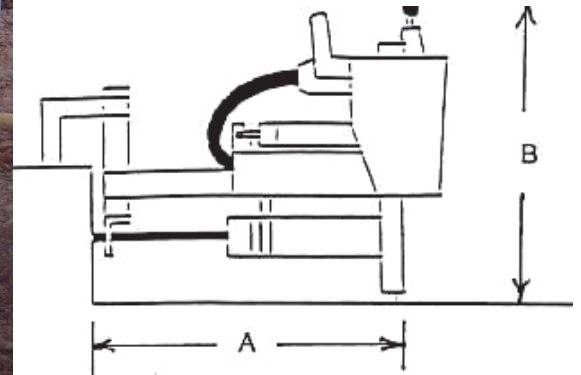


Specifications >>

Model 85B



	Horizontal Position >>	Vertical Position >>
Lower Length (A)	30" (76.2 cm)	N/A
Width	12" (30.5 cm)	
Height (B)	22" (55.9 cm)	N/A
Weight	85 lbs (38.6 kg)	
Drill distance from corner	6" (15.2 cm)	N/A
Drill distance from ground	1" (2.5 cm)	Up to 6" (15.2 cm)
Drill depth (std.)	9" (20.3 cm)	
Drill bit diameter	5/8" to 2" (15.9 mm to 50.8 mm)	
Drill motor (pneumatic)	CP 14	
Weight	16 lbs (7.62 kg)	
Chuck size (std.)	7/8" x 3 1/4" (22.2 mm x 82.6 mm)	
Air consumption (minimum)	32 cfm (0.90 m3/min)	
Operating pressure	90 psi (6.2 bar)	
Impact (ft. lbs./blow)	14 fpb (19.0 J)	
Blows/minute	2900 bpm	
Rotations/minute	150 rpm	

*Specifications subject to change without notice.