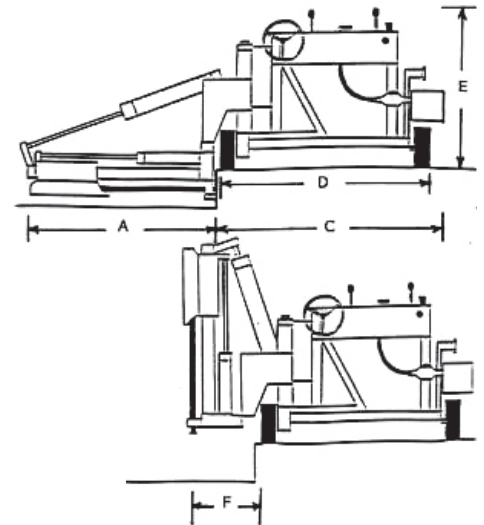


## Specifications >>

## Model 240B SRA



	Horizontal Position >>	Vertical Position >>
Lower Length (A)	46" (116.8 cm)	N/A
Overall Length (A) + (C)	94" (238.8 cm)	67 1/2" (171.5 cm)
Cart Length (C)		48" (121.9 cm)
Wheel Base (D)		42" (106.7 cm)
Width		32" (81.3 cm)
Height (E)	32" (81.3 cm)	Varies
Weight		385 lbs (174.8 kg)
Drill distance from corner	6" (15.2 cm)	N/A
Drill distance from ground	3" (7.6 cm)	up to 12" (30.5 cm)
Drill depth (std.)		18" (45.7 cm)
Drill bit diameter		5/8" to 2 1/2" (15.9 mm to 63.5 mm)
Distance from wheel to center of bit (F)	N/A	15 1/2" (39.4 cm)
<b>Rock Drill motor (pneumatic)</b>		<b>CP 32A</b>
Weight		54 lbs (24.5 kg)
Chuck size (std.)		7/8" x 3 1/4" (22.2 mm x 82.6 mm)
Air consumption (minimum)		100 cfm (2.8m3/min)
Operating pressure		90 psi (6.2 bar)
Impact (ft. lbs./blow)		36 fpb (49.0 J)
Blows/minute		2200 bpm
Rotations/minute		288 rpm
<b>Core Drill motor (pneumatic)</b>		<b>CS Unitec</b>
Weight		18 lbs (8 kg)
Bit connection		1 1/4" x 7" UNC
Air consumption (minimum)		77 cfm (2.2m3/min)
Air motor		2.1 HP (1.6 kW)
3 - speed (rpm)		400, 900, 1600

\*Specifications subject to change without notice.