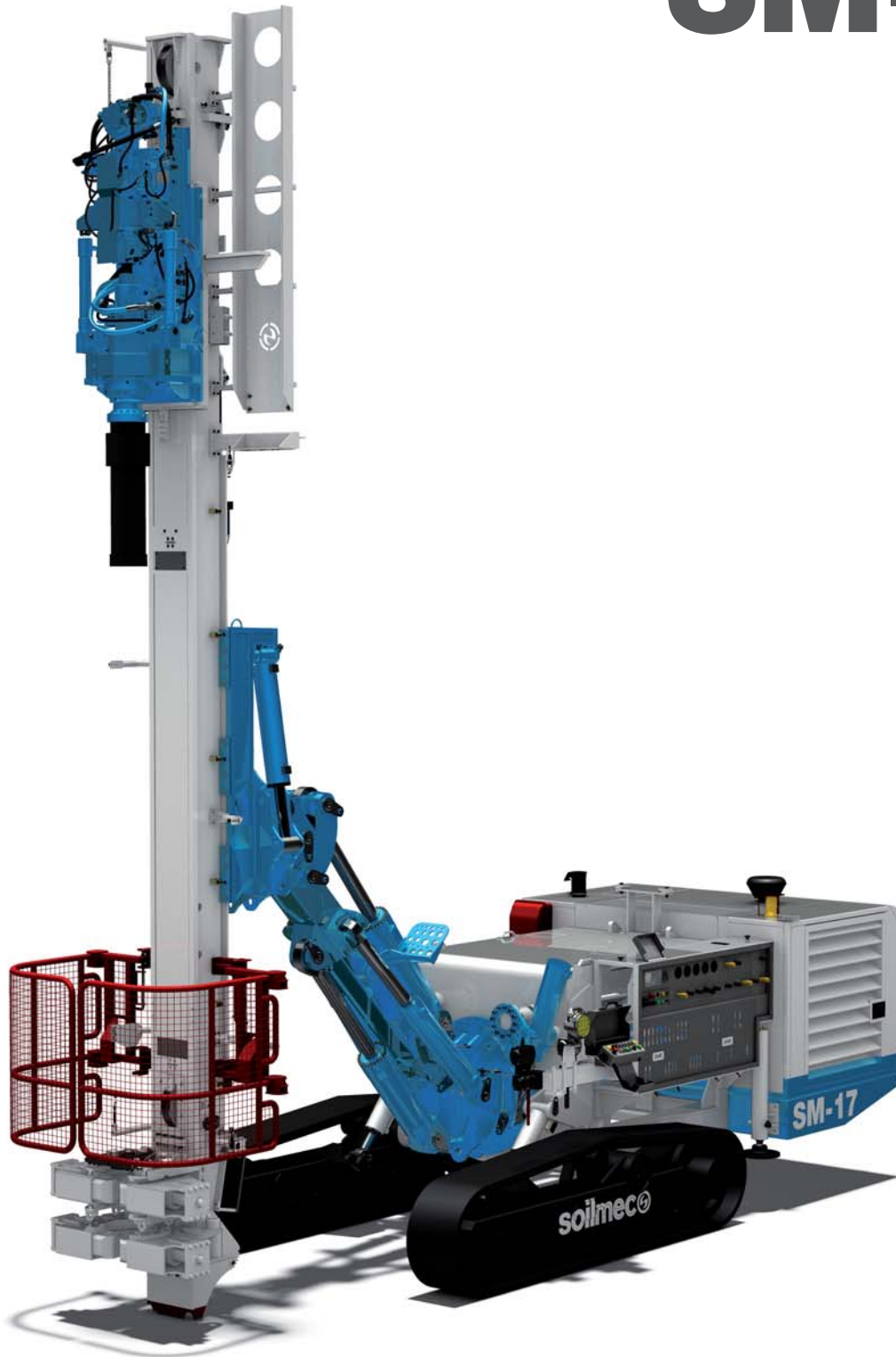
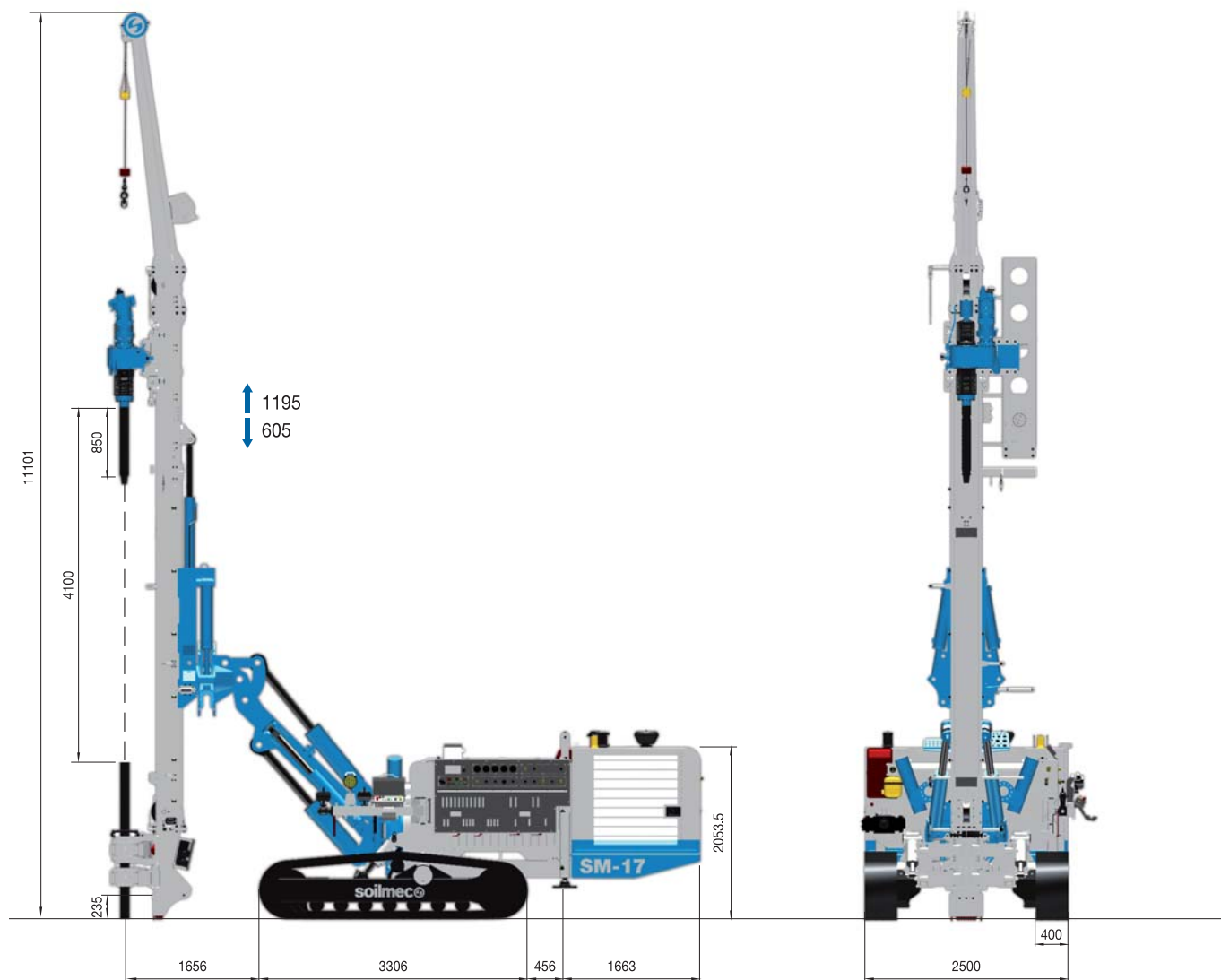


Hydraulic Microdrilling Rig

SM-17



SM-17 APPLICATIONS



Hoist & Feed system	Cylinder	Cylinder	Motoreducer	Motoreducer				
Feed stroke	4800 mm	189,0 in	4800 / 7200 / 9800 mm	189,0 / 283,5 / 358,8 in				
Rod length type (c/w one rotary head)	4,5 m	14,8 ft	4,5 / 6 / 9 m	14,8 / 19,7 / 29,5 ft				
Maximum hoist pull/feed force	100 / 50 kN	22481 / 11240 lbf	130 / 130 kN	29225 / 29225 lbf				
Rotary head range	R 3700	R 3700	HT 1400	HT 1400	R 1700	R 1700	R 2500	R 2500
Gear box type	Variable	Variable	Variable	Variable	Variable	Variable	Variable	Variable
Maximum torque	3700 daNm	27289 lbf*ft	1356 daNm	10001 lbf*ft	1739 daNm	12826 lbf*ft	2447 daNm	18048 lbf*ft
Maximum drilling speed	124 rpm	124 rpm	229 rpm	229 rpm	213 rpm	213 rpm	151 rpm	151 rpm

SM-17 TECHNICAL DATA SHEET

Operating weight (approx.)	17/19 ton	37478 - 39600 lbs
Undercarriage		
- Track shoe width	400 mm	15,7 in
- Wheel base (centre idler to centre sprocket)	2587 mm	101,9 in
- Overall length	3306 mm	130,2 in
- Overall width (not extendable crawler)	2500 mm	98 in
- Oscillating system	+/- 10°	+/- 10°
- Ground stabilizers	n° 2 fixed on rear	n° 2 fixed on rear
Diesel Engine make and model	DEUTZ TCD 6.1	DEUTZ TCD 6.1
- Emission certification	UE 2004/26ce Stage IIIB - EPA nonroad Tier 4i	UE 2004/26ce Stage IIIB - EPA nonroad Tier 4i
- Power rating	160 kW @ 2000	214 HP @ 2000
- Fuel tank capacity	300 l	79 US gal
- Sound power level and sound pressure level	LwA 110 - LpA 78 dB(A)	LwA 110 - LpA 78 dB(A)
Hydraulic system		
- Main pumps: variable axial pumps	214 + 214	56,5 + 56,5 US gal/min
- Set pressure main pumps	28 MPa	4061 psi
- Auxiliary pumps: gear pumps	54 + 34 + 88 l/min	14.3 + 9 23.2 US gal/min
Clamp & hydraulic joint breaker		
- Nominal size	up to 60 - 415	up to 2,4 - 16,3 in
- Maximum clamping force	266 kN	59798 lbf
- Maximum breaking torque	5060 daNm	37321 lbf*ft
Extractor device		
- Pull up extractor clamp force	150 kN	33721 lbf
- Pull up extractor clamp stroke	400 mm	15,7 in
Service winch		
- Type	controlled descent	controlled descent
- nominal 1st layer line pull	24 kN	5395 lbf
- 1st layer nominal rope speed	46 m/min	151 ft/min
- Rope diameter	10 mm	0,39 in
Rod carousel		
- N. of roads	6 - 10	6 - 10
- Rod diameter	140 - 114 mm	5,5 - 4,5 in
- Rod length	3000 mm	118,1 in

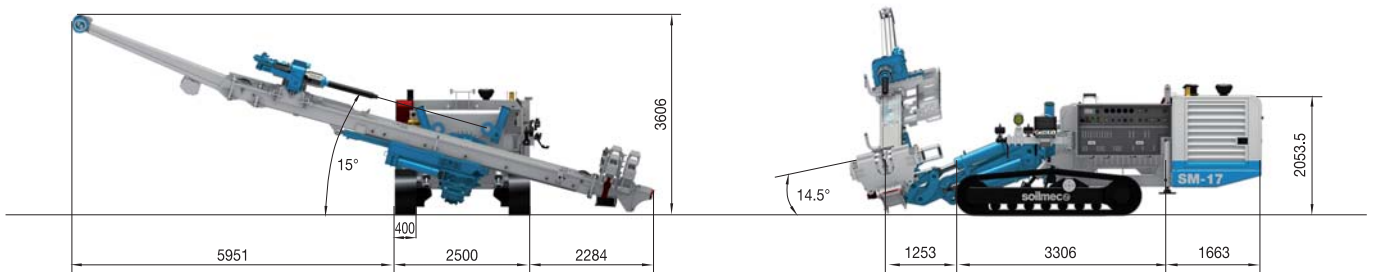
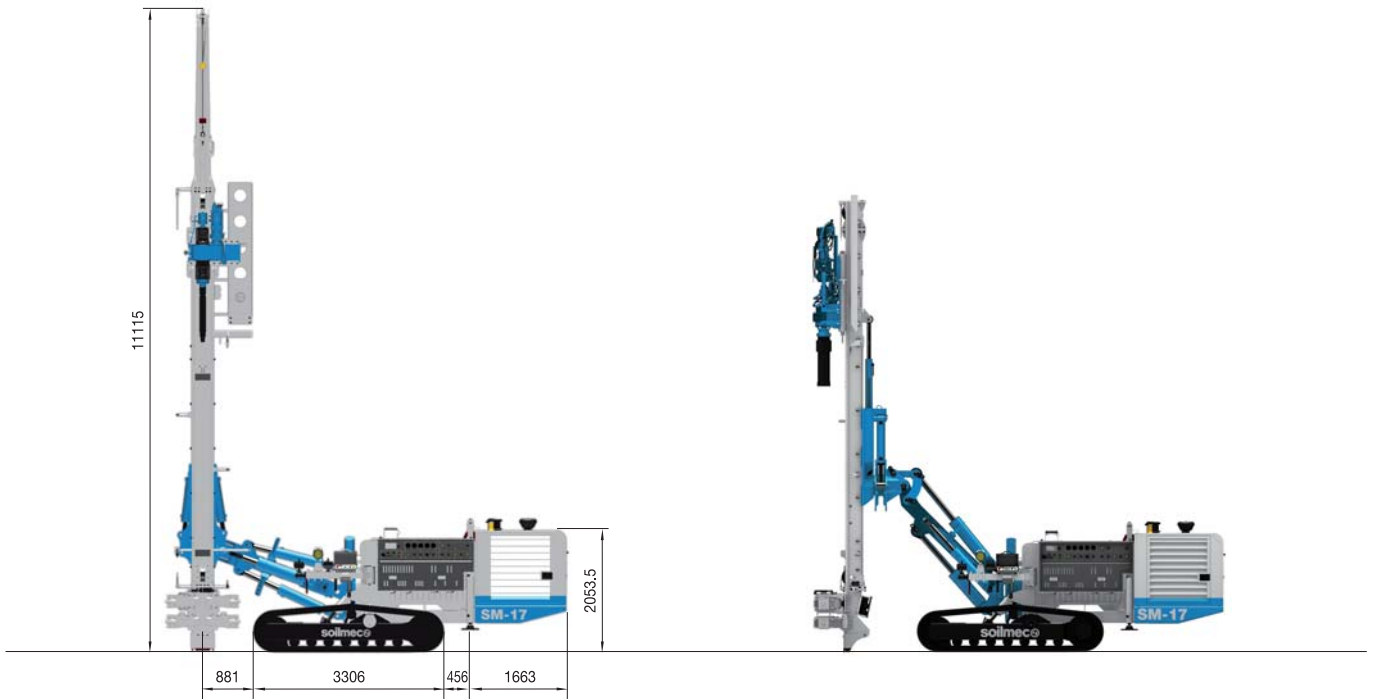
STANDARD EQUIPMENT

- Oscillating undercarriage
- Diesel power pack: 160 kW
- Kinematic mechanism: articulated
- Heavy duty mast 4,8 m stroke
- Cradle with side shifting
- Rotary head: 1400 daNm
- Clamping range 50-315 mm
- Full radio remote control

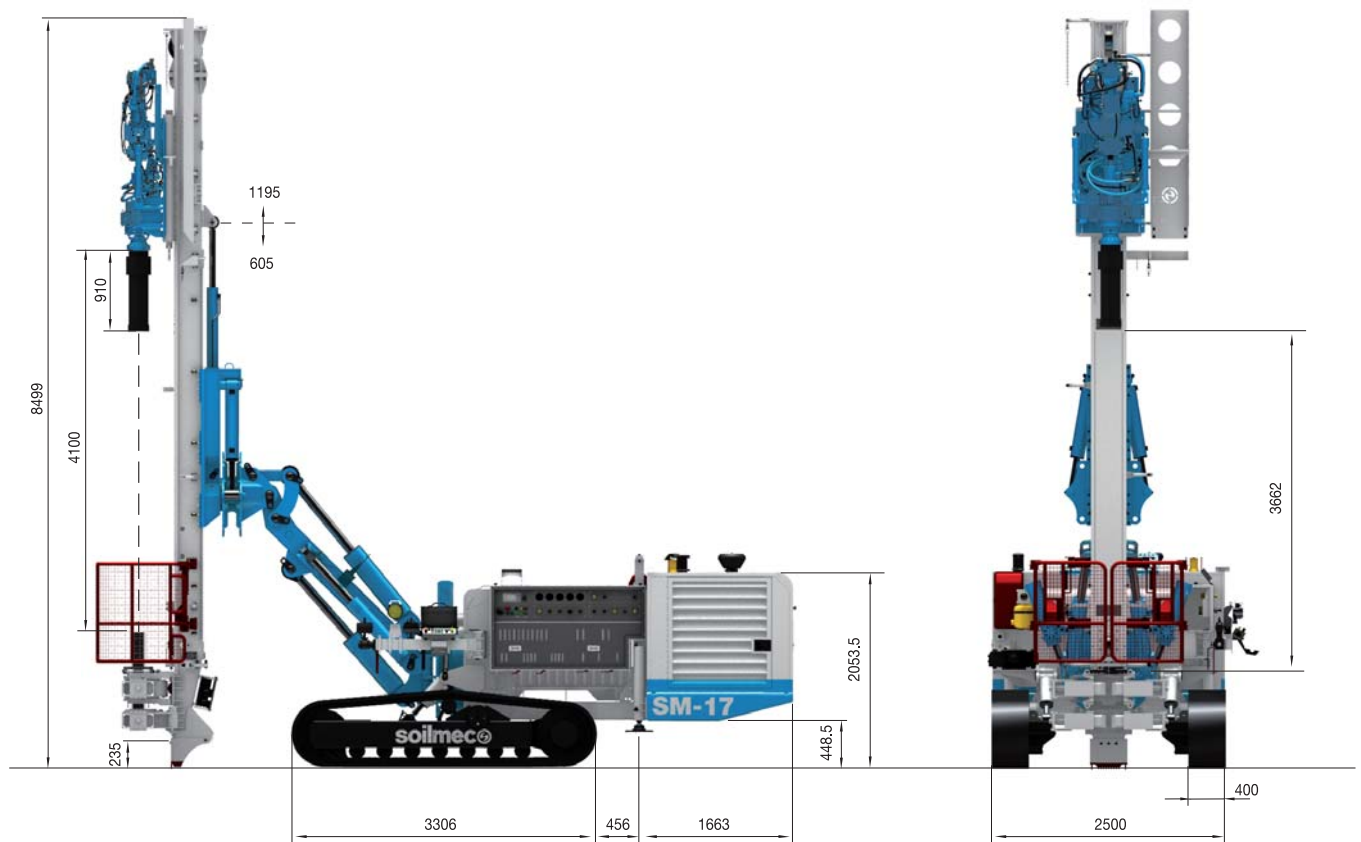
OPTIONAL EQUIPMENT

- Modular mast up to 10m stroke
- Rotary head up to 3700 daNm
- Extractor device
- Rod loader 3x6m – 3x10m
- Jet grouting kit: 20m
- Top hammer Soilmecc / Eurodrill / Krupp
- Double rotary head
- Foam pump
- Water / mud pump
- Service winch

SM-17 MOVIMENTATIONS

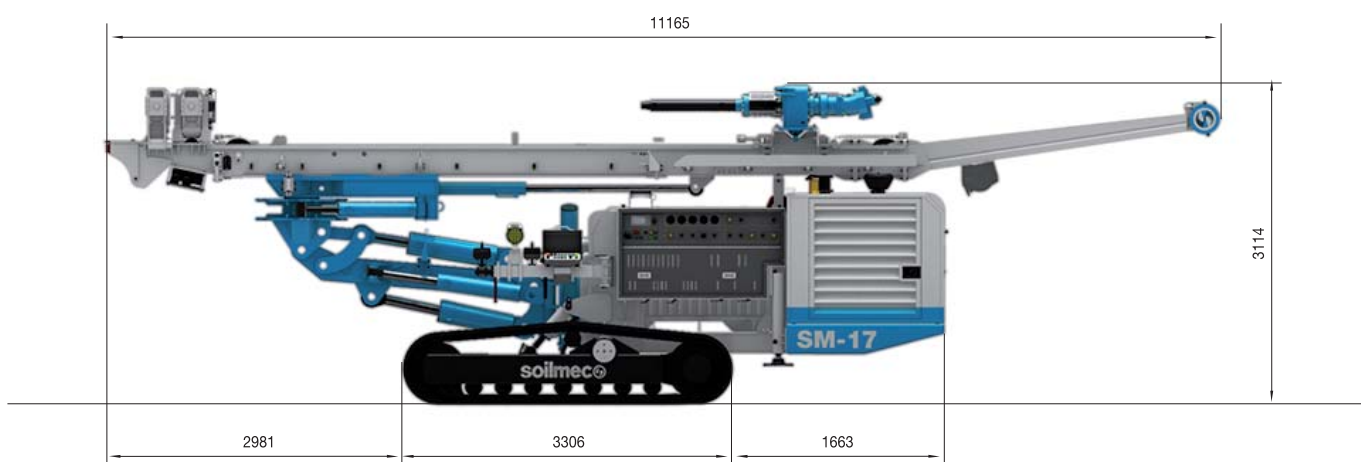
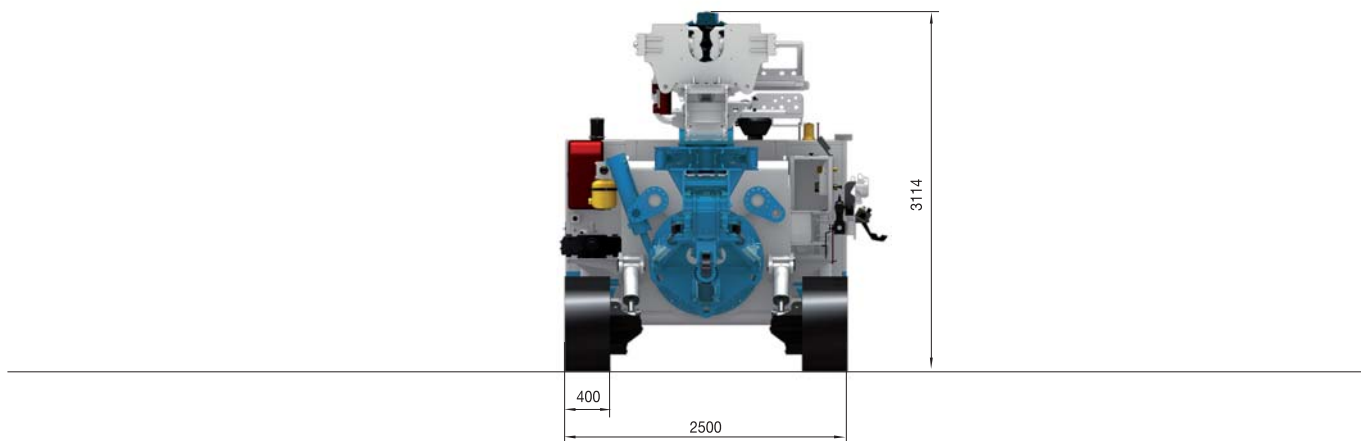


SM-17 DOUBLE ROTARY



Double head (top hammer / rotary)

Max torque for casing	1740 daNm	12833 lbfft
Max drilling speed for casing	116 rpm	116 rpm
Max torque for rods	1260 daNm	9293 lbfft
Max drilling speed for casing	221 rpm	221 rpm
Max impact rate	2500 min-1	2500 min-1
Max impact energy	590 Nm	590 Nm
Retraction force	85 kN	85 kN
Sliding stroke	200 mm	7.9 in
Rod / casing length	3000 mm	118.1 in



Transport configuration		
Transport width	2500 mm	98,4 in
Transport weight	17 - 19 ton	37478 - 39600 lbs

This brochure has been edited and distributed by SOILMEC Spa. The present document cancels and override any previous ones. This brochure shall not be distributed, reproduced or exhibited without SOILMEC Spa. authorization in accordance with to SOILMEC web site disclaimer condition.

SOILMEC Spa distributes machinery and structures all over the world, supported by SOILMEC Spa subsidiary companies and dealers. The complete Soilmec network list is available on the web site www.soilmec.it