



51955623  
Edition 12  
February 2008

# PROMAXX™ Paving Breaker

MX60 and MX90

---

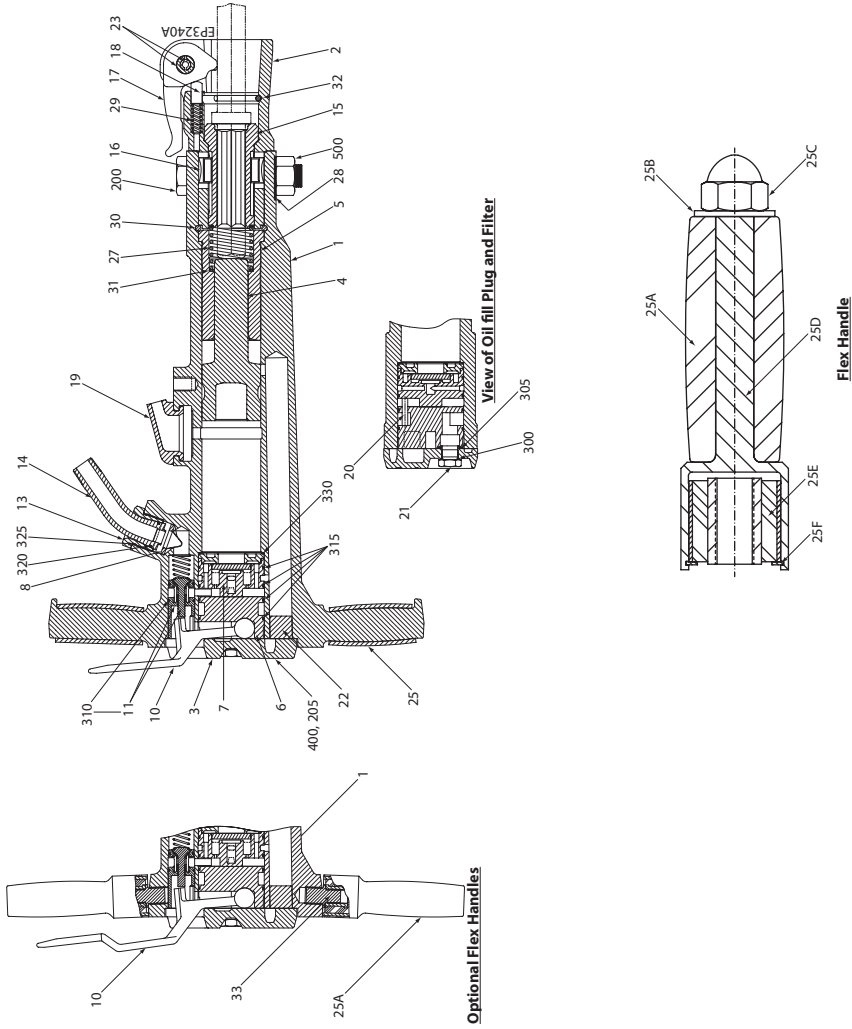
## Parts Information



Save These Instructions

 **Ingersoll Rand**

**Paving Breaker MX60 Sectional Diagram**



(Dwg. 16606311)

**Paving Breaker MX60 Parts List**

Ref. No.	Part Description	Qty	Muffler Kit #04704862 for MX60			
			MX60A 51957207	MX60B 51957181	MX60AF 51957215	MX60BF 51957199
1	Housing	1	NSS	NSS	NSS	NSS
2	Fronthead	1	51917540	X	X	X
3	Backhead	1	51943447	X	X	X
4	Piston	1	51984615	X	X	X
4	*Piston	1	51999720	X	X	X
5	Piston Seat	1	51949907	X	X	X
5	*Piston Seat	1	51999738	X	X	X
6	Housing Plug	1	51949857	X	X	X
7	Valve Chest Kit	1	52082682	X	X	X
8	Air Strainer	1	51998367	X	X	X
10	Throttle Lever	1	51943017	X	51955565	X
11	Throttle Valve Kit	1	51955375	X	X	X
13	Air Connection Cap	1	51361798	X	X	X
14	Air Connection Nipple	1	51361863	X	X	X
15	Anvil Bushing (1-1/8 In. Hex)	1	51948131		X	
15	Anvil Bushing (1-1/4 In. Hex)	1		51943470		X
16	Anvil Bushing Retainer	2	51944015	X	X	X
17	Latch Kit	1	51955383	X	X	X
18	Plunger	1	51945079	X	X	X
19	Exhaust Deflector	1	51729036	X	X	X
20	Filter	1	52089802	X	X	X
21	Oil Fill Plug	1	51370203	X	X	X
22	Rubber Plug	1	51983666	X	X	X
23	Roll Pin Kit	1	51792802	X	X	X
25	Handle Sleeve	2	51952869	X		
25	Flex Handle	2			52084936	X
25A	Flex Handle Grip	2			52084902	X
25B	Washer	1			51948016	X
25C	Nut	1			95914404	X
25D	Handle	1			52082658	X
25E	Bushing	1			52091105	X
25F	Retaining Ring	1			95955829	X
27	Anvil Bushing Spring	1	51952828	X	X	X
28	Fronthead Washer	1	51369171	X	X	X
28	*Fronthead Washer	1	52080736	X	X	X
29	Plunger Spring	1	51952836	X	X	X
30	Piston Seat Retainer	1	51955862	X	X	X
31	Spring Seat	2	51956506	X	X	X
32	Anvil Bushing Retainer	1	51954337	X	X	X
33	Flex Handle Connector	2			51913440	X
	** Muffler (Furnished W/Bolt and Washer)	1	04704862	X	X	X
200	Fronthead Bolt (3/4)	1	95105573	X	X	X
200	*Fronthead Bolt (7/8)	1	95749537	X	X	X
205	Backhead Bolt	4	95054078	X	X	X
300	Oil Fill Plug O-ring	1	95209870	X	X	X
305	Backhead O-ring	1	95018107	X	X	X
310	Throttle Body O-ring	2	95097705	X	X	X
315	Valve Chest O-ring	2	03242559	X	X	X
	Housing Plug O-ring	2	03242559	X	X	X
320	Connection Nipple O-ring	1	95086161	X	X	X
325	Connection Cap O-ring	1	95086112	X	X	X
330	Valve Cover O-ring	1	95086583	X	X	X
400	Backhead Washer	4	51948016	X	X	X
500	Fronthead Nut (3/4)	1	95227112	X	X	X
500	*Fronthead Nut (7/8)	1	95477196	X	X	X

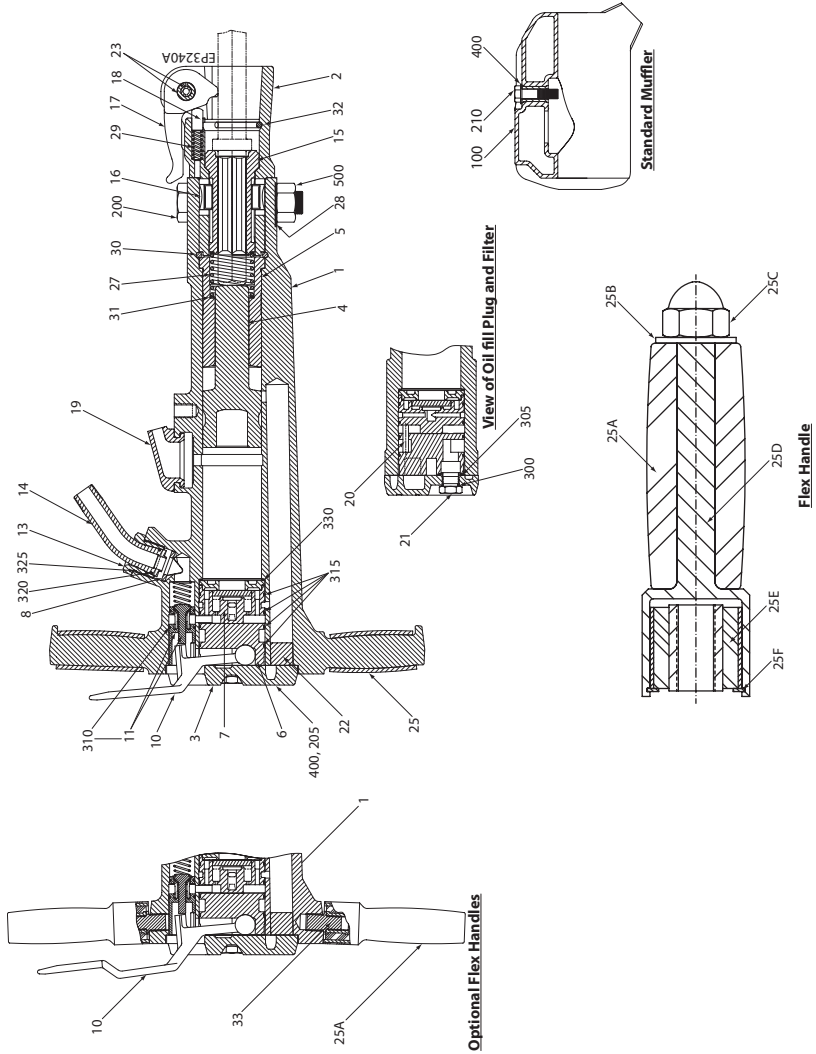
X - Same as the number to the left.

NSS - Not Shown Separately.

\* Not Illustrated

\*\* Muffler kit sold separately, not illustrated

**Paving Breaker MX90 Sectional Diagram**



(Dwg. 16606311)

## Paving Breaker MX90 Parts List

Ref. No.	Part Description	Qty	MUFFLER KIT #51953453 FOR MX90			
			MX90A 51955136	MX90B 51955110	MX90AF 51955284	MX90BF 51955268
1	Housing	1	NSS	NSS	NSS	NSS
2	Fronthead	1	51917540	X	X	X
3	Backhead	1	51943447	X	X	X
4	Piston	1	51948388	X	X	X
5	Piston Seat	1	51943462	X	X	X
6	Housing Plug	1	51949857	X	X	X
7	Valve Chest Kit	1	51955391	X	X	X
8	Air Strainer	1	51998367	X	X	X
10	Throttle Lever	1	51943017	X	51955565	X
11	Throttle Valve Kit	1	51955375	X	X	X
13	Air Connection Cap	1	51361798	X	X	X
14	Air Connection Nipple	1	51361863	X	X	X
15	Anvil Bushing (1-1/8 In. Hex)	1	51948131		X	
15	Anvil Bushing (1-1/4 In. Hex)	1		51943470		X
16	Anvil Bushing Retainer	2	51944015	X	X	X
17	Latch Kit	1	51955383	X	X	X
18	Plunger	1	51945079	X	X	X
19	Exhaust Deflector	1	51729036	X	X	X
20	Filter	1	52089802	X	X	X
21	Oil Fill Plug	1	51370203	X	X	X
22	Rubber Plug	1	51944007	X	X	X
23	Roll Pin Kit	1	51792802	X	X	X
25	Handle Sleeve	2	51952869	X		
25	Flex Handle	2			52084936	X
25A	Flex Handle Grip	2			52084902	X
25B	Washer	1			51948016	X
25C	Nut	1			95914404	X
25D	Handle	1			52082658	X
25E	Bushing	1			52091105	X
25F	Retaining Ring	1			95955829	X
27	Anvil Bushing Spring	1	51952828	X	X	X
28	Fronthead Washer	1	51378438	X	X	X
29	Plunger Spring	1	51952836	X	X	X
30	Piston Seat Retainer	1	51955862	X	X	X
31	Spring Seat	2	51956506	X	X	X
32	Anvil Bushing Retainer	1	51954337	X	X	X
33	Flex Handle Connector	2			51913440	X
200	Fronthead Bolt (1")	1	95379608	X	X	X
205	Backhead Bolt	4	95054078	X	X	X
300	Oil Fill Plug O-ring	1	95209870	X	X	X
305	Backhead O-ring	1	95018107	X	X	X
310	Throttle Body O-ring	2	95097705	X	X	X
315	Valve Chest O-ring	2	03242559	X	X	X
	Housing Plug O-ring	2	03242559	X	X	X
320	Connection Nipple O-ring	1	95086161	X	X	X
325	Connection Cap O-ring	1	95086112	X	X	X
330	Valve Cover O-ring	1	95086583	X	X	X
400	Backhead Washer	4	51948016	X	X	X
500	Fronthead Nut	1	95471165	X	X	X

X - Same as the number to the Left.

NSS - Not shown separately

\* Not Illustrated

\*\* Muffler kit sold separately, not illustrated

### Lubrication (Furnished only when specially ordered)

Part No.	Part Description	Qty.
51378701	• Rock Drill Oil (Light)	1 GAL.
51378727	• Rock Drill Oil (Light)	5 GAL.
51378743	• Rock Drill Oil (Light)	55 GAL.

### Available Kits

Part No.	Part Description	Qty.
52082682	Valve Chest Kit	1
51955391	Valve Chest Kit	1
51955375	Throttle Valve Kit	1
51955383	Latch Kit	1
51792802	Roll Pin Kit	1

---

## **Parts and Maintenance**

When the life of the tool has expired, it is recommended that the tool be disassembled, degreased and parts be separated by material so that they can be recycled.

Tool repair and maintenance should only be carried out by an authorized Service Center.

Refer all communications to the nearest **Ingersoll Rand** Office or Distributor.

---

## **Related Documentation**

For additional information refer to:

Product Safety Information Manual 04581450.

Product Information Manual 51955631.

Maintenance Information Manual 51984144.

Manuals can be downloaded from [www.irtools.com](http://www.irtools.com).

**Notes:**

---

[www.irttools.com](http://www.irttools.com)

© 2008 **Ingersoll Rand** Company

