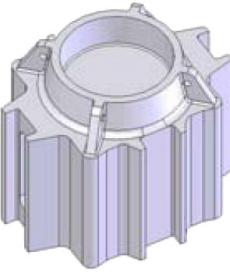
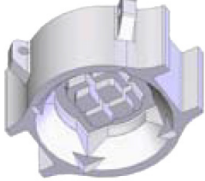
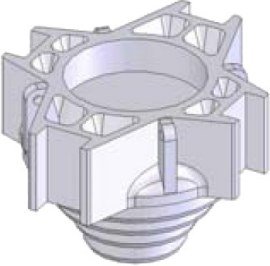

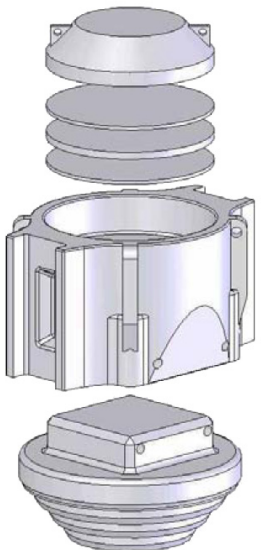


All BAUER-Pileco helmets are made from quality cast carbon steel. The cushion receptacles and pile insert receptacles are machined flat for maximum energy transfer.

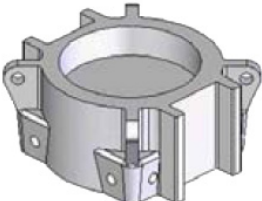
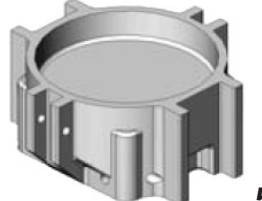
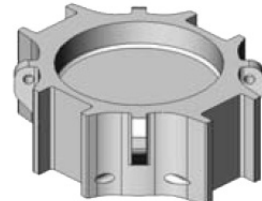
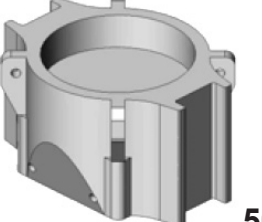
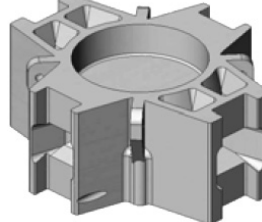
The U-Lead guiding is machined to warrant the required guiding tolerance.

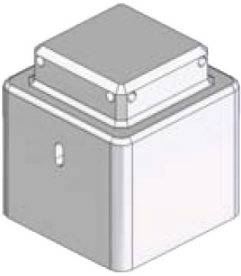
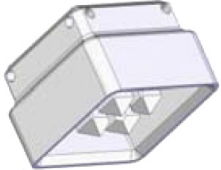

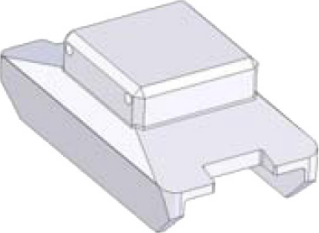

| | | | | | | |
|--|--|--|--|-------------|---------------------------|----------------|
|  | Square Helmets for concrete piles | | | | | |
| | | max. sq. pile size | | cushion | U-lead size | weight lbs. |
| | 500024-A | 24" | | Ø 23" | 32.5" x 8" | 5,620 |
| | 500024-B | 24" | | Ø 23" | 32.5" x 8" 42.5" x 8" | 7,056 |
| | 500030 | 30" | | Ø 23" | 42.5" x 11" | 12,000 |
| | 500030-A | 30" | | Ø 23" | 42.5" x 8" 42.5" x 11" | 12,000 |
| | 500036 | 36" | | Ø 23" | 42.5" x 8" 42.5" x 11" | 14,000 |
|  | Universal helmet for H-piles & pipe piles | | | | | |
| | | | cushion | U-Lead size | weight lbs. | |
| | 500000 | Steel beams: 8", 10", 12" Steel pipe Ø: 10", 12", 14" | | Ø 17" | 21" x 8" | 970 |
|  | Offshore Male type helmet | | | | | |
| | | Pipe pile size | | cushion | U-Lead size | weight lbs. |
| | 410455 | 16" x 1" 20" x 1" | 24" x 1-1/2" 30" x 1-1/2" 36" x 1-1/2" | Ø 23" | 36.5" x 8" 42.5" x 8" | 6,300 |
| | 410452 | 24" x 1" 30" x 1" 36" x 2" | 42" x 2" 48" x 2" | Ø 27" | 48.5" x 8" 54.5" x 8" | 14,400 |
| | 410453 | 42" x 1-1/2" 48" x 1-1/2" 54" x 1-1/2" | 60" x 1-1/2" 66" x 1-1/2" | Ø 37" | 66.5" x 8" 68.5" x 12" | 26,600 |
|  | Large diameter drive plates | | | | | |
| | | up to 66" | | Ø 27" | special lead frame | |
| | 410454 | up to 98-1/2" diameter guide shoes for: Ø 66", 72", 84", 96" | | Ø 37" | special lead frame | 38,400 |
| | 410456 | up to 120" diameter male type drive plate, guide shoes for: Ø 72", 84", 96", 108" | | Ø 37" | special lead frame | approx. 70,000 |

The BAUER-Pileco primary helmet drive cap systems for U-type leads allows a quick adjustment to specified pile types and sizes. Various pile inserts have the standard 17" square head which fits in different sizes of primary helmets.

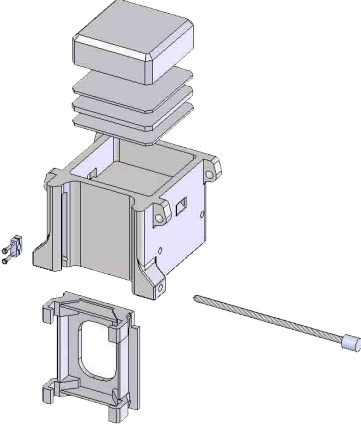
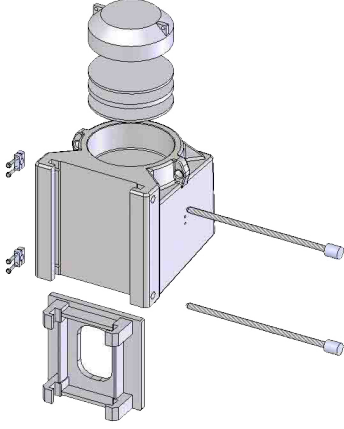
| | | | | | | |
|---|---|---|----------|--------------------|------------|--|
|  | Striker Plate | Ø 17" x 4" | 200 lbs | Ø 27" x 12" | 1,550 lbs. | |
| | | Ø 19" x 6" | 380 lbs. | Ø 37" x 12" | 3,080 lbs. | |
| | | Ø 23" x 10" | 950 lbs | | | |
| | Hammer cushion | For Diesel hammer and helmet protection | | | | |
| | Primary helmet | Features <ul style="list-style-type: none"> 1" Mincarta & 2x1/2" Aluminium modulus of elasticity: 350 ksi coefficient of restitution: 0.8 Features <ul style="list-style-type: none"> machined bottom receptacle for cushion and helmet insert for maximum energy transfer and lifetime 17" standard square for inserts integrated U-lead guiding | | | | |
| Helmet insert | Features <ul style="list-style-type: none"> machined face of 17" square for max. energy transfer inserts for concrete-, steelpipe-, sheet- and h-piles available | | | | | |

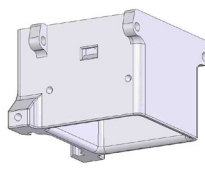
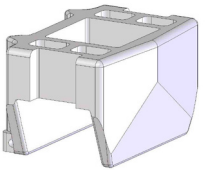
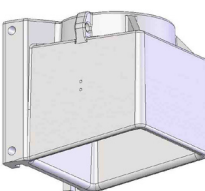
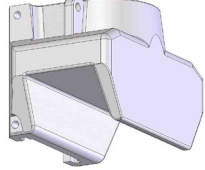
Primary Helmets

| | | |
|--|---|---|
|  <p>500521 weight complete: 1,050 lbs. striker plate: Ø 23" U-lead guiding: 32" x 8"</p> |  <p>500526 weight complete: 2,200 lbs. striker plate: Ø 23" U-lead guiding: 26" x 8"</p> |  <p>500532 weight complete: 2,750 lbs. striker plate: Ø 23" U-lead guiding: 26" x 8" 32" x 8"</p> |
|  <p>500532-HD weight complete: 2,820 lbs. striker plate: Ø 23" U-lead guiding: 32" x 8"</p> |  <p>500542 weight complete: 5,400 lbs. striker plate: Ø 23" U-lead guiding: 42" x 8" (10") 36" x 8"</p> | |

| Helmet Inserts | | | | | |
|---|-----------------------------------|----------------------|-------|------------------|------------|
|  | Inserts for concrete piles | | | | |
| | 500512-01 | 12" Square | | 1,356 lbs. | |
| | 500514-01 | 14" Square | | 1,023 lbs. | |
| | 500516-01 | 16" Square | | 1,570 lbs. | |
| | 500518-01 | 18" Square | | 1,715 lbs. | |
| | 500520 | 20" Square | | 1,724 lbs. | |
|  | Inserts for H-piles | | | | |
| | 500515 | 10", 12", 14" H-pile | | 890 lbs. | |
|  | Inserts for pipe-piles | | | | |
| | 500508-C | up to 16" diameter | | 760 lbs. | |
| | 500509-1 | up to 24" diameter | | 1,380 lbs. | |
| | 500509-2 | up to 30" diameter | | 2,210 lbs. | |
|  | Inserts for sheet | | | | |
| | | length | width | min. U-lead size | weight |
| | 500513 | 30.5" | 13.5" | 26.5" x 8" | 870 lbs. |
| | 500513-2 | 38" | 16.5" | 32.5" x 8" | 2,600 lbs. |
| | 500513-4A | 43" / 39" | 19.6" | 32.5" x 8" | 2,600 lbs. |
| | 500513-5 | 51" | 19" | 42.5" x 8" | 3,550 lbs. |
|  | Inserts for timber-piles | | | | |
| | 500506-1 | up to 16" diameter | | 560 lbs. | |

Pileco helmet drive cap systems for European-type leads

| | | |
|--|---|--|
|  <p>standard-version</p> | <p>This type of helmets is for use on leads where the helmet is guided in front (European style).</p> <p>The helmets have a machined slot in the backside to accept a guide insert. This special made guide insert can be made to adapt a variety of lead profiles and guiding distances.</p> <p>Locking cables with clamp allow multiple use of helmets and guiding inserts.</p> |  <p>HD-version</p> |
|--|---|--|

| | pile size / opening | cushion size | weight lbs. |
|---|--|--------------|-------------|
|  | for concrete piles, pipe piles, H - beams using diesel hammer up to D19-42 | | |
| 500016 | square 16" | square 17" | 1070 |
|  | for sheet piles, using diesel hammer up to D19-42 | | |
| 500013 | 30.5" x 13.25" | square 13" | 1360 |
|  | for concrete piles, pipe piles, H-beams using diesel hammer larger D19-42 | | |
| 500012HD | square 12" | diam. 13" | 1250 |
| 500014HD | square 14" | diam. 13" | 1400 |
| 500016HD | square 16" | diam. 17" | 1700 |
| 500020HD | square 20" | diam. 17" | 2150 |
|  | for sheet piles, using diesel hammer larger than D19-42 | | |
| 500013HD1 | 30" x 12.5" | diam. 13" | 1900 |
| 500013HD2 | 38" x 14.5" | diam. 17" | 3280 |
| 50013HD5 | 52" x 19" | diam. 19" | 4380 |