



BIBO BS-2250.011

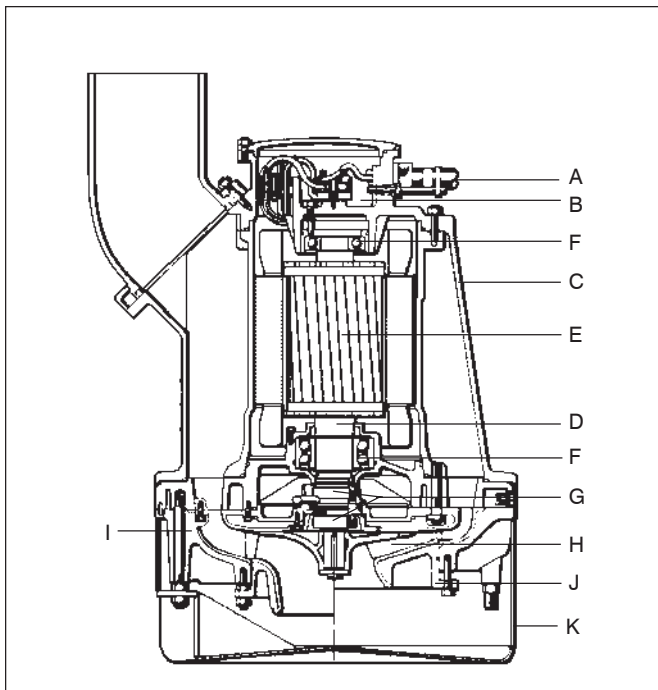
Large Portable Dewatering Pump

Capacity up to 5,000 GPM, heads up to 230 ft.



Applications:

Bibo BS-2250 moves large volumes of water quickly and efficiently in mines, tunnels, cofferdams, deep excavations, construction sites, etc.



Specifications

- A **Cable.** Standard 16 m (50 ft.) of AWG 1/3-2-1-GC or 2/4 SubCab cable. Other lengths available.
 - B **Junction Chamber.** Cable entry incorporates a strain relief and grommet controlled compression sealing. Between the junction box and stator housing a rubber gland provides additional seal protection of the motor.
 - C **Pump Housing.** High strength, lightweight aluminum alloy major castings. Static seals are leakproof Nitrile rubber O rings in precision machined grooves, with controlled compression.
 - D **Shaft.** Stainless steel ANSI 420.
 - E **Motor.** Air filled, NEMA design B with class H (180°C) insulation; 4 pole, 1770 rpm. Shrink-fit to the motor housing. Allows at least 10 starts per hour. Built-in thermal sensors for additional motor overload protection.
 - F **Bearings.** Upper: single row ball bearing. Lower: two row angular contact ball bearings.
 - G **Shaft Seals.** Independent double face seals running in environmentally friendly, FDA approved (Standard #172.878) lubricant. Upper seal: tungsten carbide/ carbon. Lower seal: tungsten carbide/tungsten carbide. Oil quantity: 5.4 quarts (5.1 l).
 - H **Impeller.** Multivane, open type. Material: high chrome alloyed cast iron ASTM 532.80 Alloy IIIA, hardened for high wear resistance to 60 Rc hardness.
 - I **Diffuser.** Protected by polyurethane (Polylife) or Nitrile Rubber liner. Adjustable to maintain pump's hydraulic performance.
 - J **Wear Plate.** Protected by polyurethane (Polylife) or Nitrile Rubber liner.
 - K **Strainer.** Steel ASTM A36 284 GRD 501 573 GR65. 508 holes 5/8" x 1-3/4".
- Fasteners.** Stainless steel ANSI 304.

Approval:

CSA approved to UL Standard #778 and CSA C22.2 #108.



Controls (not shown).

Manual controls, magnetic starter type, providing short circuit and overload protection, housed in EEMAC3 enclosure. Other enclosure types (EEMAC4, EEMAC12) are optional.

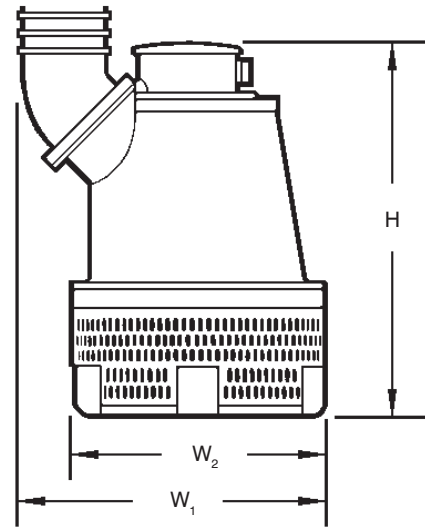
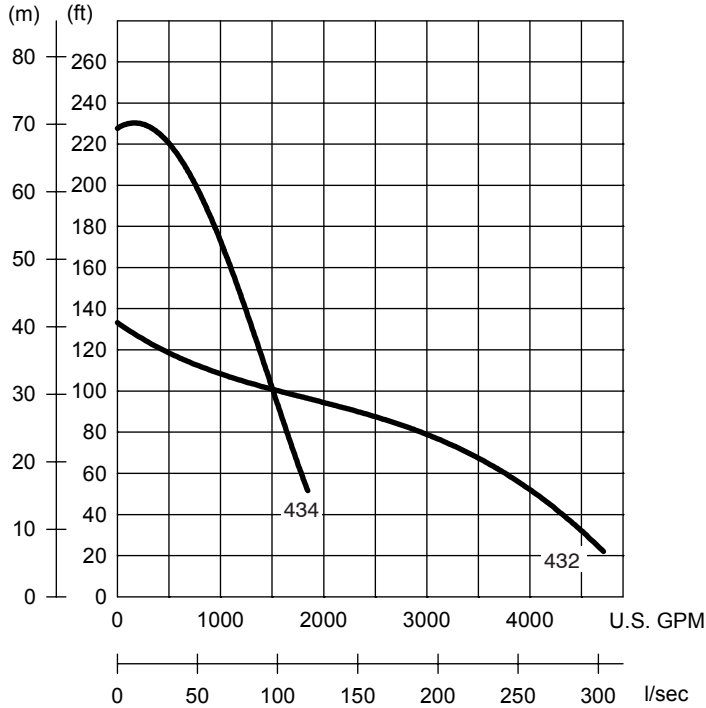
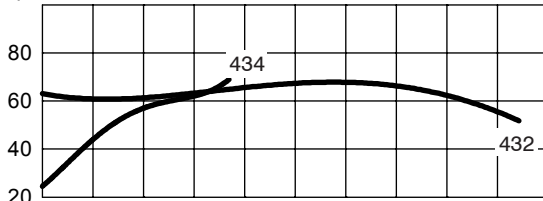
Accessories.

Tandem connection; Zinc anodes.

BIBO BS-2250.011

Power Input and Performance Data

Power Input kW



Dimensions

Discharge conn.	W ₁ inches	W ₁ mm	W ₂ inches	W ₂ mm	H inches	H mm	Weight lbs.	Weight kg	Tandem conn.*
6" High Head									
6" NPT (female)	33 3/8	848	30 3/8	771	45	1143	1190	540	6" Hose conn.
6" Hose conn.*	33 3/4	832	30 3/8	771	45	1143	1190	540	6" Hose conn.
8" Standard									
8" NPT (female)	35 1/2	902	30 3/8	771	45	1143	1190	540	----
8" Hose conn.*	34 3/4	883	30 3/8	771	45	1143	1190	540	----
10" Standard									
10" NPT (male)	36 7/8	937	30 3/8	771	45	1143	1190	540	10" Hose conn.
10" Hose conn.*	36	915	30 3/8	771	45	1143	1190	540	10" Hose conn.

*Optional

VERSION	IMP. CODE	HP	PHASE	VOLTS	FLA	STARTING CURRENT	CABLE SIZE AWG
High Head HT 6"	434	88	3	460 600	104 79	535 405	1/3-2-1-GC 2/4
Standard MT 8" or 10"	432	88	3	460 600	104 79	535 405	1/3-2-1-GC 2/4

SALES • SERVICE • RENTALS

Coquitlam, B.C., Tel.: (604) 941-6664, Fax: (604) 941-3659 • Calgary, Alta., Tel.: (403) 279-8371, Fax: (403) 279-0948 • Edmonton, Alta., Tel.: (780) 489-1961, Fax: (780) 486-5530
 Saskatoon, Sask., Tel.: (306) 933-4849, Fax: (306) 931-0051 • Winnipeg, Mb., Tel.: (204) 235-0050, Fax: (204) 235-0066 • Concord, On., Tel.: (905) 760-7530, Fax: (905) 760-7527
 Ottawa, On., Tel.: (613) 225-9600, Fax: (613) 225-5496 • Sudbury, On., Tel.: (705) 560-2141, Fax: (705) 560-8260 • Thunder Bay, On., Tel.: (807) 625-9960, Fax: (807) 625-9970
 Pointe-Claire, Qc., Tel.: (514) 695-0133, Fax: (514) 695-7990 • Beauport, Qc., Tel.: (418) 667-1694, Fax: (418) 666-9593 • Val d'Or, Qc., Tel.: (819) 825-0792, Fax: (819) 825-5677 •
 Moncton, N.B., Tel.: (506) 857-2244, Fax: (506) 859-8612 • Halifax, N.S., Tel.: (902) 450-1177, Fax: (902) 450-1170 • St. John's, Nfld., Tel.: (709) 722-6717, Fax: (709) 722-9832

Flygt

