



BIBO BS-2201.011

Large Portable Dewatering Pump (Slim Line)

Capacity up to 3,500 GPM, heads up to 310 ft.



Applications:

Bibo BS-2201, a compact, slim line design pump, is ideal for deep excavations.

Specifications

- A **Cable.** Standard 16 m (50 ft.) of SubCab cable. Other lengths available.
 - B **Junction Chamber.** Cable entry incorporates a strain relief and grommet controlled compression sealing. Between the junction box and stator housing a rubber gland provides additional seal protection of the motor.
 - C **Pump Housing.** High strength, lightweight aluminum alloy major castings. Outer jacket is hot dip galvanized steel sheet ASTM A36 284GRD. Static seals are leakproof Nitrile rubber O rings in precision machined grooves, with controlled compression.
 - D **Shaft.** Stainless steel ANSI 420.
 - E **Motor.** Air filled, NEMA design B with class H (180°C) insulation; 2 pole, 3500 rpm (HT, MT) or 4 pole, 1760 rpm (LT). Shrink-fit to the motor housing. Allows at least 10 starts per hour. Built-in thermal sensors for additional motor overload protection.
 - F **Bearings.** Upper: single row ball bearing. Lower: two single row angular contact ball bearing.
 - G **Shaft Seals.** Independent double face seals running in environmentally friendly, FDA approved (Standard #172.878) lubricant. Upper seal: tungsten carbide/carbon. Lower seal: tungsten carbide/tungsten carbide. Oil quantity: 10.5 pints (5 l).
 - H **Impeller.** Multivane, open type. Material: high chrome alloyed cast iron ASTM 532.80 Alloy IIIA, hardened for high wear resistance to 60 Rc hardness.
 - I **Diffuser.** Protected by polyurethane (Polylife) or Nitrile Rubber liner. Adjustable to maintain pump's hydraulic performance.
 - J **Wear Plate.** Protected by polyurethane (Polylife) or Nitrile Rubber liner.
 - K **Strainer.** Hot dip galvanized steel. 575 holes 3/8" x 3/8" (HT) or 212 holes 5/8" x 1-3/4" (LT, MT).
- Fasteners.** Stainless steel ANSI 304.

Options.

Stainless steel high head (HT) impeller;

Approval:

CSA approved to UL Standard #778 and CSA C22.2 #108.

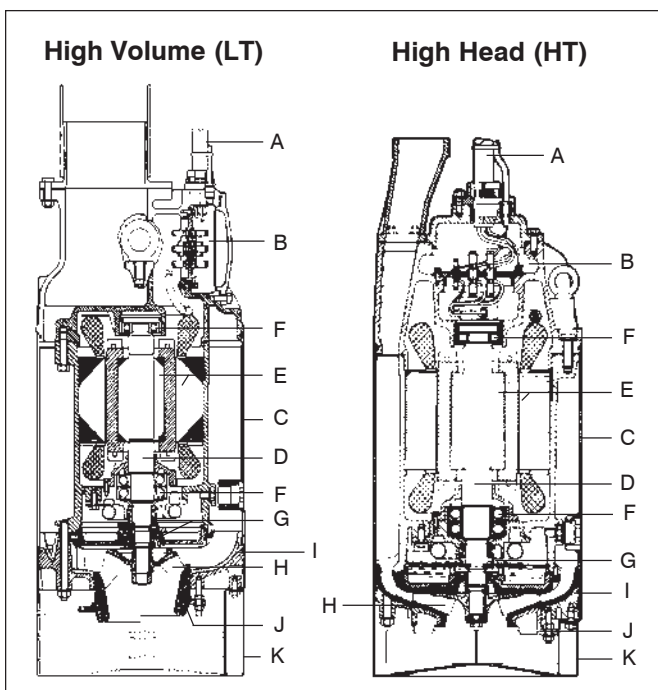


Controls (not shown).

Manual controls, magnetic starter type, providing short circuit and overload protection, housed in EEMAC3 enclosure. Other enclosure types (EEMAC4, EEMAC12) are optional.

Accessories.

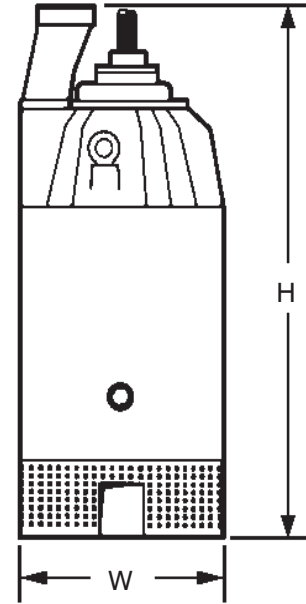
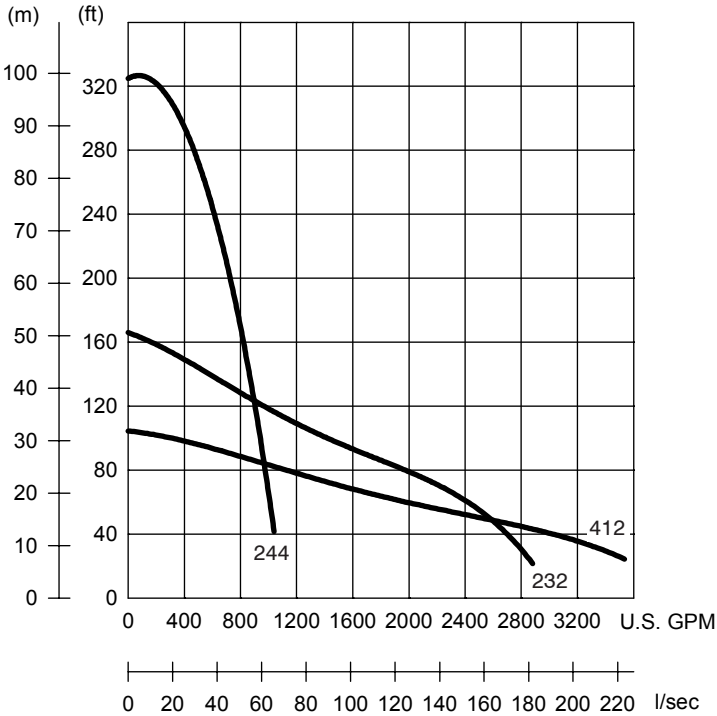
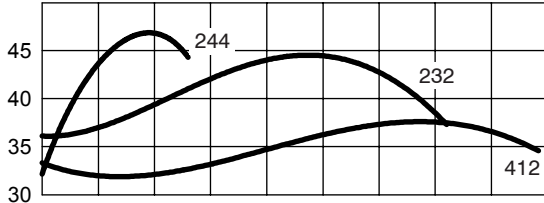
Tandem connection; Zinc anodes.



BIBO BS-2201.011

Power Input and Performance Data

Power Input kW



Dimensions

Discharge conn.	W inches	W mm	H inches	H mm	Weight lbs.	Weight kg	Tandem conn.*
High Head							
4" NPSM	17	430	41 ^{1/8}	1045	530	240	4"NPSM
4" Hose conn.*	17	430	41 ^{1/8}	1045	530	240	4"NPSM
Standard & High Volume							
6" NPT (Female)	19 ^{3/4}	500	45 ^{1/4}	1150	617	280	6" NPT (Female)
8" NPT* (Female)	19 ^{3/4}	500	45 ^{7/8}	1165	617	280	8" NPT* (Female)
6" & 8" Hose conn.*	19 ^{3/4}	500	47 ^{7/8}	1215	617	280	6" & 8" Hose conn.*

*Optional

VERSION	IMP. CODE	HP	PHASE	VOLTS	FLA	STARTING CURRENT	CABLE SIZE AWG
High Head HT 4"	244	58	3	460	65	395	8/4 x 2
			3	600	50	284	4/3-2-1-GC
Standard MT 6"	232	58	3	460	65	395	8/4 x 2
			3	600	50	284	4/3-2-1-GC
High Volume LT 6" or 8"	412	50	3	460	64	535	8/4 x 2
			3	600	47	360	4/3-2-1-GC

SALES • SERVICE • RENTALS

Coquitlam, B.C., Tel.: (604) 941-6664, Fax: (604) 941-3659 • Calgary, Alta., Tel.: (403) 279-8371, Fax: (403) 279-0948 • Edmonton, Alta., Tel.: (780) 489-1961, Fax: (780) 486-5530
 Saskatoon, Sask., Tel.: (306) 933-4849, Fax: (306) 931-0051 • Winnipeg, Mb., Tel.: (204) 235-0050, Fax: (204) 235-0066 • Concord, On., Tel.: (905) 760-7530, Fax: (905) 760-7527
 Ottawa, On., Tel.: (613) 225-9600, Fax: (613) 225-5496 • Sudbury, On., Tel.: (705) 560-2141, Fax: (705) 560-8260 • Thunder Bay, On., Tel.: (807) 625-9960, Fax: (807) 625-9970
 Pointe-Claire, Qc., Tel.: (514) 695-0133, Fax: (514) 695-7990 • Beauport, Qc., Tel.: (418) 667-1694, Fax: (418) 666-9593 • Val d'Or, Qc., Tel.: (819) 825-0792, Fax: (819) 825-5677 •
 Moncton, N.B., Tel.: (506) 857-2244, Fax: (506) 859-8612 • Halifax, N.S., Tel.: (902) 450-1177, Fax: (902) 450-1170 • St. John's, Nfld., Tel.: (709) 722-6717, Fax: (709) 722-9832

Flygt

