



# American Pneumatic Tool

9949 Tabor Place, Santa Fe Springs, California, CA 90670, U.S.A.

## PAVING BREAKERS



For assistance in any sales, technical, maintenance or repair questions, please call APT @  
Phone: (800) 532-7402 or (562) 204-1555 • Fax: (800) 715-6502 or (562) 204-1773

Website: [www.apr-tools.com](http://www.apr-tools.com) • e-mail: [info@apr-tools.com](mailto:info@apr-tools.com)

TDS-1006 Rev A

© 2011 AMERICAN PNEUMATIC TOOLS, INC.



# American Pneumatic Tool

9949 Tabor Place, Santa Fe Springs, California, CA 90670, U.S.A.

## PAVING BREAKERS

### TOOL MAINTENANCE & REPAIR INFORMATION

#### FIELD OPERATION:

##### Before use:

1. Fill the reservoir with air tool oil or 10W equivalent.
2. Tighten nuts on the side rod bolts.
3. Check for play in the front head with a tool steel. Replace hex bushing if worn.
4. Check all nuts to ensure they are tight on the tool.
5. Replace retainer if worn.
6. Clean any water and/or dirt from air hose before connecting it to the tool.

##### During use:

1. For your safety and that of others, keep tool against work at all times.
2. When moving from one work area to another, shut off air supply to tool.
3. Never run a tool when steel bit is not against the work.
4. Do not use tool as a wedge or prying instrument.
5. Refill oil reservoir approximately every 2 hours.
6. Check all nuts to ensure they are tight on the tool.

##### After use:

1. Flush tool with cleaning solvent, then refill with air tool oil or 10W equivalent.
2. Do not leave tool in water or dirt.
3. Check all nuts to ensure they are tight on the tool.
4. Store the tool well oiled.

#### TROUBLESHOOTING GUIDE:

##### If the tool runs erratically:

1. Check all the nuts to ensure they are tight on the tool.
2. Flush cleaning solvent through the tool and then refill immediately with air tool oil or 10W equivalent.
3. If tool still runs erratically, disassemble and check the cleanliness of the valves, In addition, check for plugged cylinder ports.

##### If the tool has an air leak around the back head:

1. Disassemble and inspect the back head to see if the throttle valve or O ring seals are damaged.
2. Tighten up all back head nuts securely.

##### If the tool is not hitting hard enough:

1. Check all the nuts to ensure they are tight on the tool.
2. If all nuts are tight, then check for wear on internal parts, if worn, parts should be replaced.
3. Check clearances between piston and cylinder bore carefully.

##### If you cannot shut off the tool:

1. Immediately turn off the air source, then disconnect the air supply.
2. Disassemble, back head and inspect the throttle valve and O rings for damage.

For assistance in any sales, technical, maintenance or repair questions, please call APT @

Phone: (800) 532-7402 or (562) 204-1555 • Fax: (800) 715-6502 or (562) 204-1773

Website: [www.apr-tools.com](http://www.apr-tools.com) • e-mail: [info@apr-tools.com](mailto:info@apr-tools.com)

TDS-1007 Rev A

© 2011 AMERICAN PNEUMATIC TOOLS, INC.



# American Pneumatic Tool

9949 Tabor Place, Santa Fe Springs, California, CA 90670, U.S.A.

## MODEL 117 PAVING BREAKER

PART # 5199 (7/8" HEX x 3-1/4")

PART # 5200 (1" HEX x 4-1/4")



This 30 lb class Paving Breaker is an ideal tool for light to medium demolition work as well as for use in confined areas. This lightweight tool can break up concrete floors, or can be used in any other type of general demolition work.

### SPECIFICATIONS

Part #	5199	5200
Chuck Size	7/8" Hex x 3-1/4"	1" Hex x 4-1/4"
Bore Diameter (inches)	1-3/4"	
Stroke (inches)	3-3/8"	
Blows per Minute	1850	
CFM @ 90 psi	34 - 38	
Weight (lbs)	33	
Length (inches)	21-3/4"	
Air Inlet Size	3/8" MALE NPT	

### FEATURES

- New! Patented Automatic Ball Valve (Pat. # 8,276,682 B2)
- Drop forged, steel handle
- Built in automatic oiler
- Replaceable chuck bushing
- Rubber handle grips
- Latch type retainer
- Swivel hose connection
- Four bolt back head
- Noise dampening muffler available
- Fitted with Universal hose connector

For assistance in any sales, technical, maintenance or repair questions, please call APT @

Phone: (800) 532-7402 or (562) 204-1555 • Fax: (800) 715-6502 or (562) 204-1773

Website: [www.apr-tools.com](http://www.apr-tools.com) • e-mail: [info@apr-tools.com](mailto:info@apr-tools.com)

TDS-1008 Rev B

© 2011 AMERICAN PNEUMATIC TOOLS, INC.



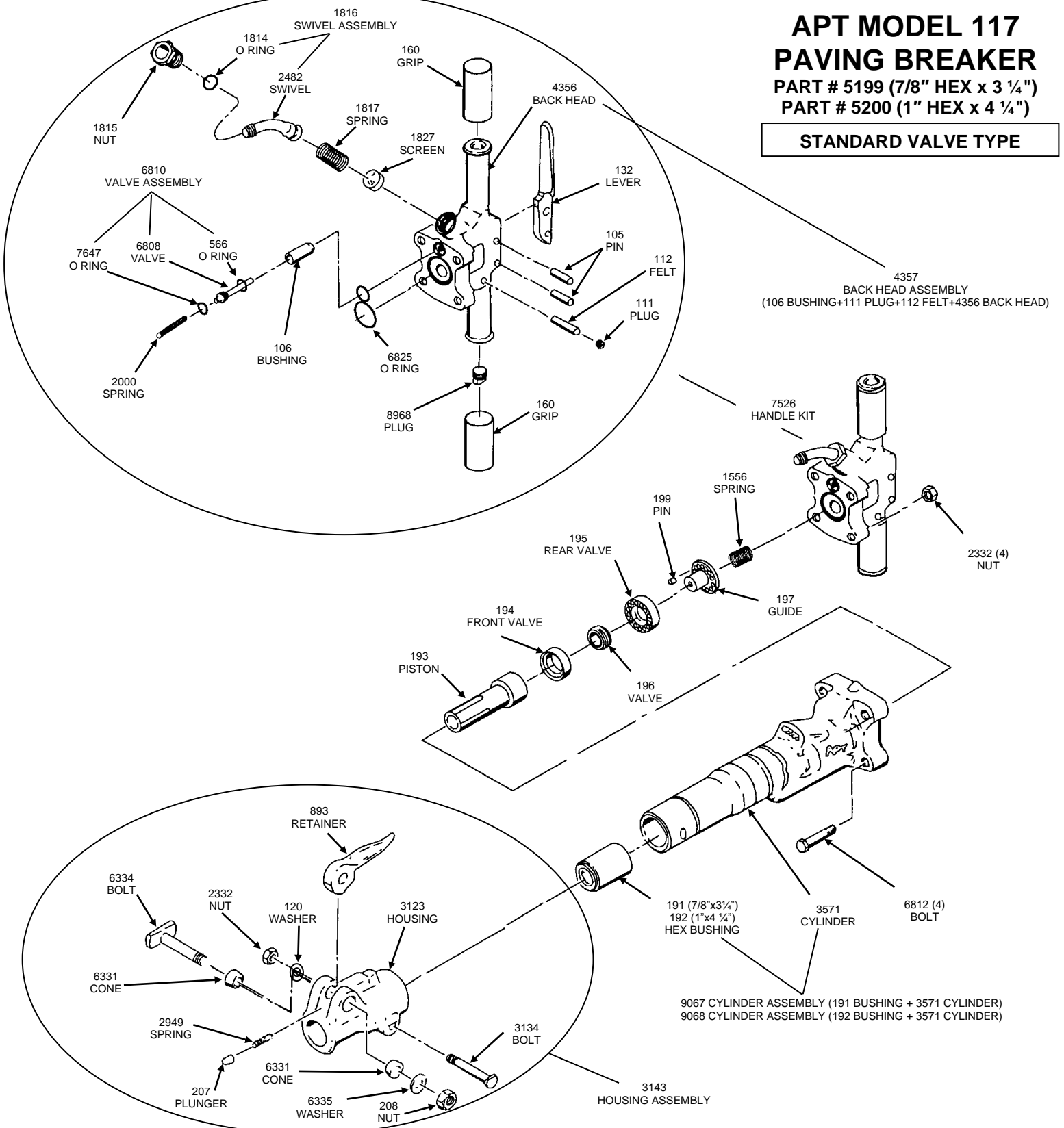
# American Pneumatic Tool

9949 Tabor Place, Santa Fe Springs, California, CA 90670, U.S.A.

## APT MODEL 117 PAVING BREAKER

PART # 5199 (7/8" HEX x 3 1/4")  
PART # 5200 (1" HEX x 4 1/4")

STANDARD VALVE TYPE



For assistance in any sales, technical, maintenance or repair questions, please call APT @  
Phone: (800) 532-7402 or (562) 204-1555 • Fax: (800) 715-6502 or (562) 204-1773

Website: [www.apr-tools.com](http://www.apr-tools.com) • e-mail: [info@apr-tools.com](mailto:info@apr-tools.com)

TDS-1009 Rev A

© 2011 AMERICAN PNEUMATIC TOOLS, INC.



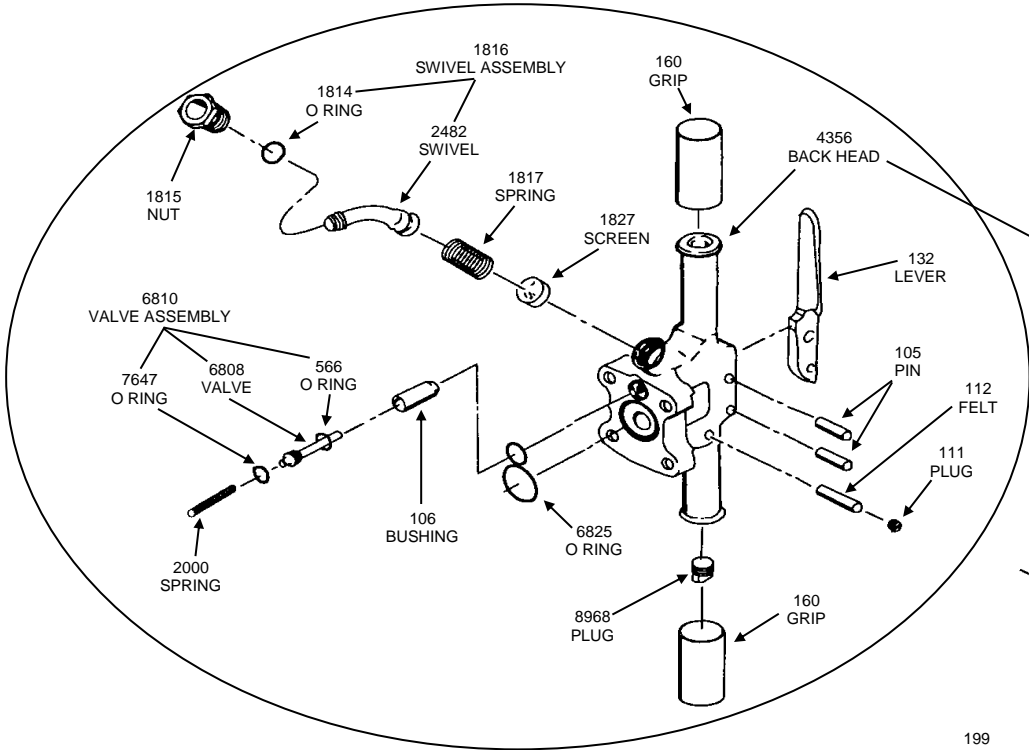
# American Pneumatic Tool

9949 Tabor Place, Santa Fe Springs, California, CA 90670, U.S.A.

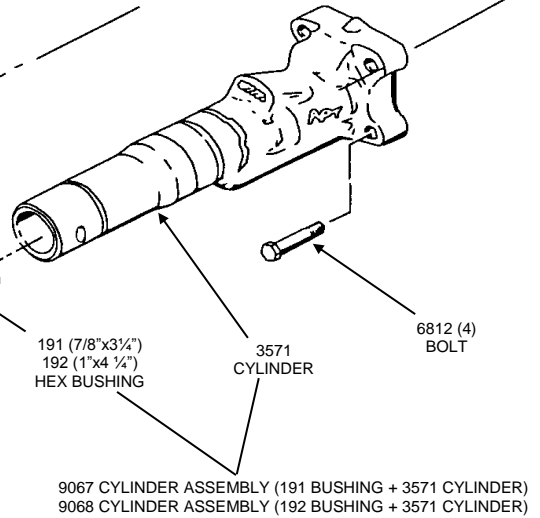
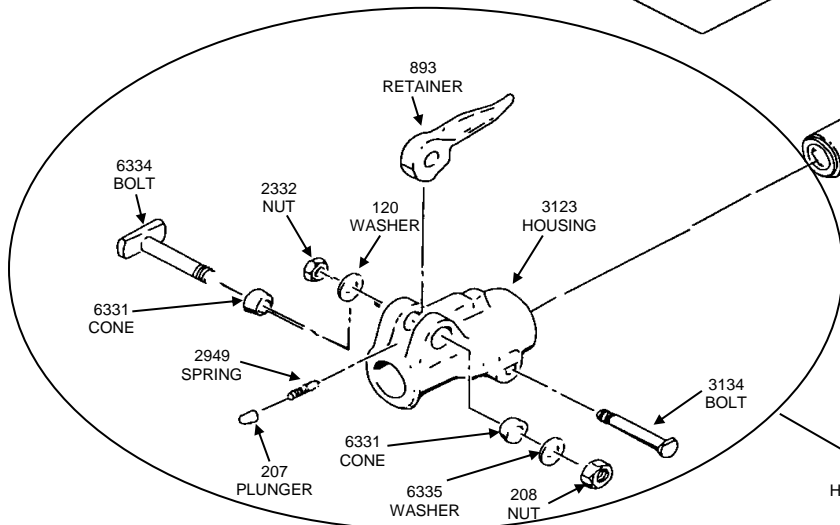
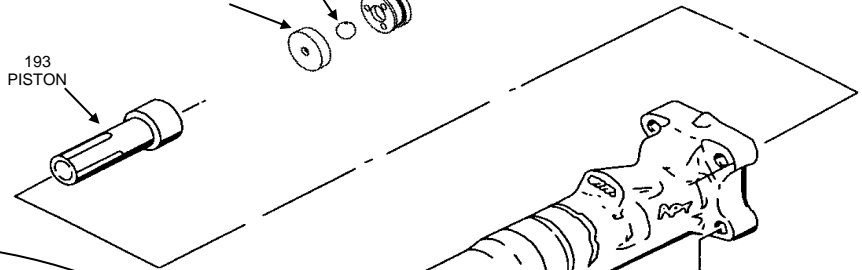
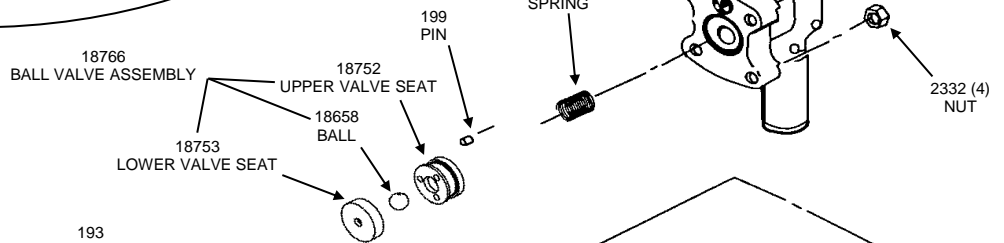
## APT MODEL 117 PAVING BREAKER

PART # 5199 (7/8" HEX x 3 1/4")  
PART # 5200 (1" HEX x 4 1/4")

**BALL VALVE TYPE**  
**Patent # 8,276,682 B2**



4357  
BACK HEAD ASSEMBLY  
(106 BUSHING + 111 PLUG + 112 FELT + 4356 BACK HEAD)



For assistance in any sales, technical, maintenance or repair questions, please call APT @  
Phone (800) 532-7402 or (562) 204-1555 • Fax (800) 715-6502 or (562) 204-1773

[www.apr-tools.com](http://www.apr-tools.com) • e-mail [info@apr-tools.com](mailto:info@apr-tools.com)

© 2011 AMERICAN PNEUMATIC TOOLS, INC.

TDS-1106 Rev B



# American Pneumatic Tool

9949 Tabor Place, Santa Fe Springs, California, CA 90670, U.S.A.

## MODEL 140 PAVING BREAKER PART # 17923 (1" HEX x 4-1/4")



The Model 140 is a rugged, yet lightweight Paving Breaker designed for light to medium construction work. It is ideally suited for plant maintenance, such as light demolition of floors, pavement, and frozen ground. This tool is also very popular for bridge deck jobs.

### SPECIFICATIONS

Part #	17923
Chuck Size	1" Hex x 4-1/4"
Bore Diameter (inches)	1-7/8"
Stroke (inches)	4-1/4"
Blows per Minute	1500
CFM @ 90 psi	48
Weight (lbs)	43
Length (inches)	21-1/8"
Air Inlet Size	1/2" MALE NPT

### FEATURES

- Automatic Valve
- Drop forged, steel handle
- Built in automatic oiler
- Rubber handle grips
- Latch type retainer
- Swivel hose connection
- Four bolt back head
- Noise dampening muffler available
- Fitted with Universal hose connector

For assistance in any sales, technical, maintenance or repair questions, please call APT @  
Phone: (800) 532-7402 or (562) 204-1555 • Fax: (800) 715-6502 or (562) 204-1773

Website: [www.apr-tools.com](http://www.apr-tools.com) • e-mail: [info@apr-tools.com](mailto:info@apr-tools.com)

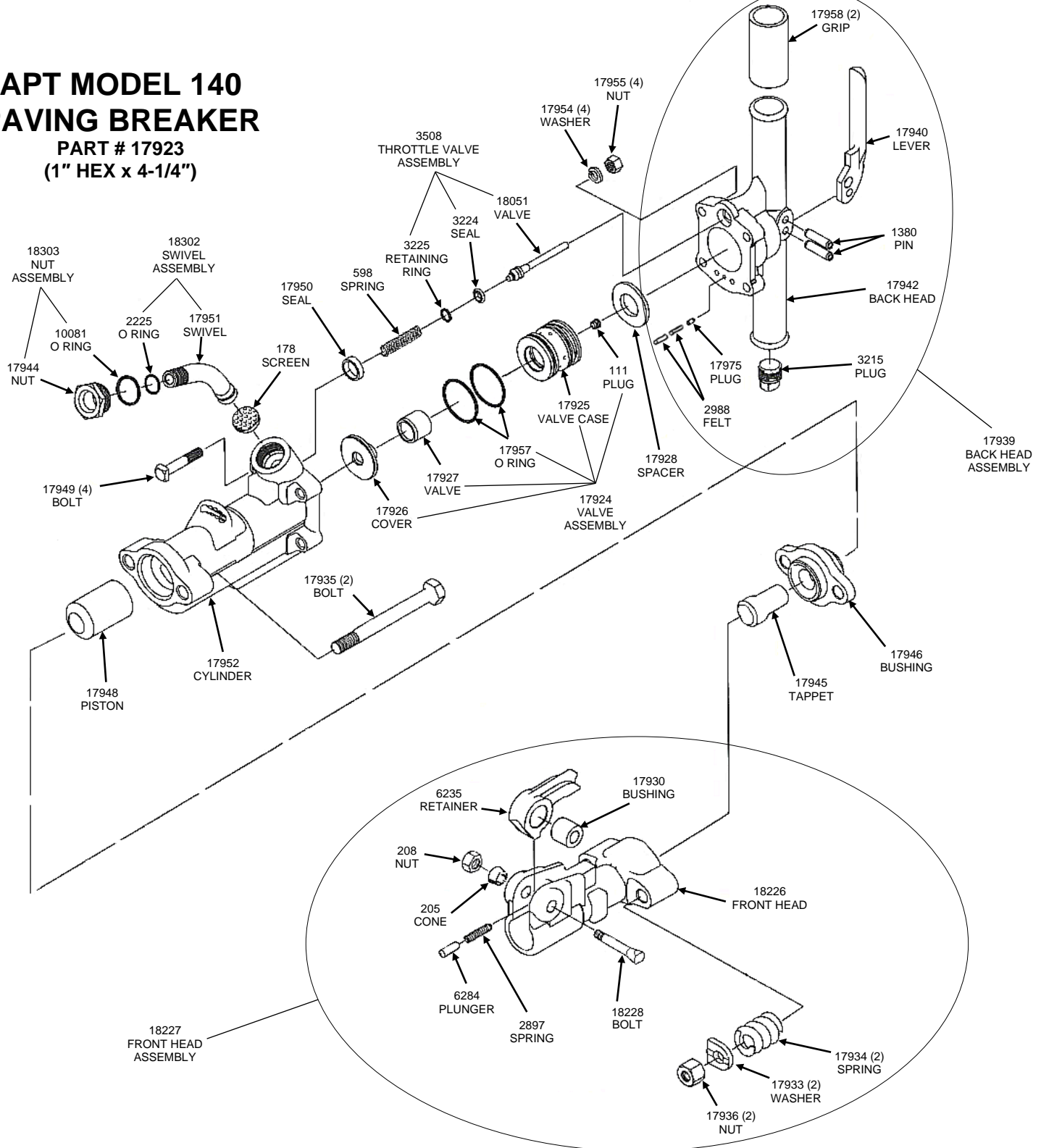
TDS-1010 Rev B



# American Pneumatic Tool

9949 Tabor Place, Santa Fe Springs, California, CA 90670, U.S.A.

## APT MODEL 140 PAVING BREAKER PART # 17923 (1" HEX x 4-1/4")



For assistance in any sales, technical, maintenance or repair questions, please call APT @  
Phone: (800) 532-7402 or (562) 204-1555 • Fax: (800) 715-6502 or (562) 204-1773

Website: [www.apr-tools.com](http://www.apr-tools.com) • e-mail: [info@apr-tools.com](mailto:info@apr-tools.com)

TDS-1011 Rev A

© 2011 AMERICAN PNEUMATIC TOOLS, INC



# American Pneumatic Tool

9949 Tabor Place, Santa Fe Springs, California, CA 90670, U.S.A.

## MODEL 140A AIRGO-LINE® PAVING BREAKER

PART # 18041 (1" HEX x 4-1/4")



The Model 140A *Airgo-Line*® Paving Breaker is a 40 lb class tool. The ergonomically designed handle helps reduce harmful vibration to the hands and arms of the operator. This versatile tool is based on the standard Model 140, the tool being easily converted to the standard handle or ergonomic handle or vice-versa. No power is lost from the standard tool but does increase efficiency and output due to the reduction in operator fatigue.

### SPECIFICATIONS

Part #	18041
Chuck Size	1" Hex x 4-1/4"
Bore Diameter (inches)	1-7/8"
Stroke (inches)	4-1/4"
Blows per Minute	1500
CFM @ 90 psi	48
Weight (lbs)	46
Length (inches)	24"
Air Inlet Size	1/2" MALE NPT

### FEATURES

- *AIRGO-LINE*® Ergonomic Back Head (interchangeable with standard Back Head) reduces operator fatigue
- Automatic Valve
- Drop forged, steel handle
- Built in automatic oiler
- Rubber handle grips
- Latch type retainer
- Swivel hose connection
- Four bolt back head
- Noise dampening muffler available
- Fitted with Universal hose connector

For assistance in any sales, technical, maintenance or repair questions, please call APT @

Phone: (800) 532-7402 or (562) 204-1555 • Fax: (800) 715-6502 or (562) 204-1773

Website: [www.apr-tools.com](http://www.apr-tools.com) • e-mail: [info@apr-tools.com](mailto:info@apr-tools.com)

TDS-1012 Rev A

© 2011 AMERICAN PNEUMATIC TOOLS, INC.

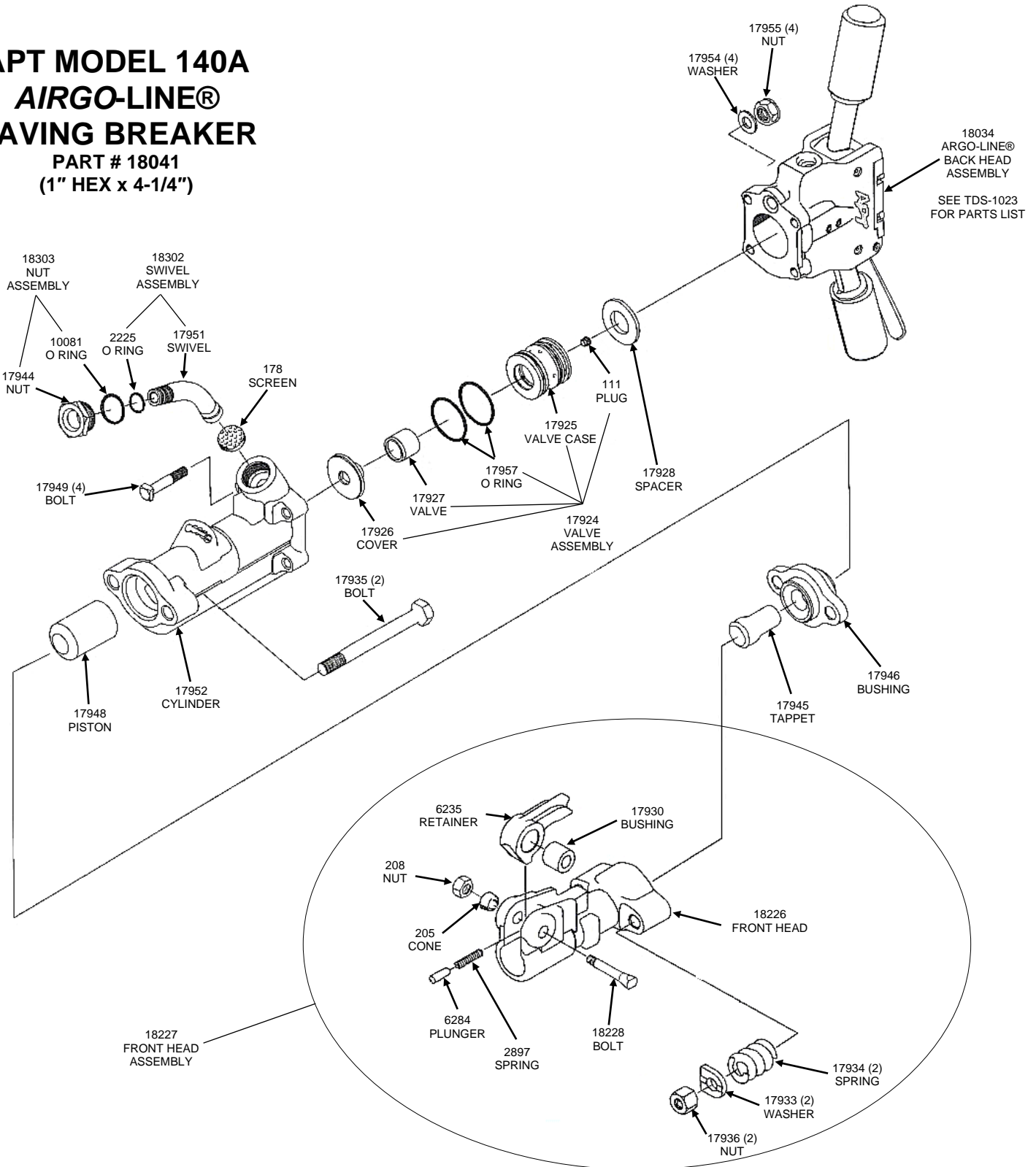




# American Pneumatic Tool

9949 Tabor Place, Santa Fe Springs, California, CA 90670, U.S.A.

## APT MODEL 140A AIRGO-LINE® PAVING BREAKER PART # 18041 (1" HEX x 4-1/4")



For assistance in any sales, technical, maintenance or repair questions, please call APT @  
Phone: (800) 532-7402 or (562) 204-1555 • Fax: (800) 715-6502 or (562) 204-1773

Website: [www.apptools.com](http://www.apptools.com) • e-mail: [info@apptools.com](mailto:info@apptools.com)

TDS-1013 Rev A



# American Pneumatic Tool

9949 Tabor Place, Santa Fe Springs, California, CA 90670, U.S.A.

## MODEL 160 PAVING BREAKER

PART # 5235 (1-1/8" HEX x 6")

PART # 5236 (1-1/4" HEX x 6")



The Model 160, a 60 lb class Paving Breaker, is a hard hitting tool that can be used for medium to heavy demolition work and concrete breaking. The Model 160 is one of the best general purpose breakers around and one of the best tools on the market for asphalt cutting.

### SPECIFICATIONS

Part #	5235	5236
Chuck Size	1-1/8" Hex x 6"	1-1/4" Hex x 6"
Bore Diameter (inches)	2-1/4"	
Stroke (inches)	4-1/8"	
Blows per Minute	1680	
CFM @ 90 psi	60 - 65	
Weight (lbs)	68	
Length (inches)	25-3/4"	
Air Inlet Size	1/2" MALE NPT	

### FEATURES

- New! Patented Automatic Ball Valve (Pat. # 8,276,682 B2)
- Drop forged, steel handle
- Built in automatic oiler
- Rubber handle grips
- Latch type retainer
- Swivel hose connection
- Four bolt back head
- Noise dampening muffler available
- Fitted with Universal hose connector

For assistance in any sales, technical, maintenance or repair questions, please call APT @

Phone: (800) 532-7402 or (562) 204-1555 • Fax: (800) 715-6502 or (562) 204-1773

Website: [www.apr-tools.com](http://www.apr-tools.com) • e-mail: [info@apr-tools.com](mailto:info@apr-tools.com)

TDS-1014 Rev B



# American Pneumatic Tool

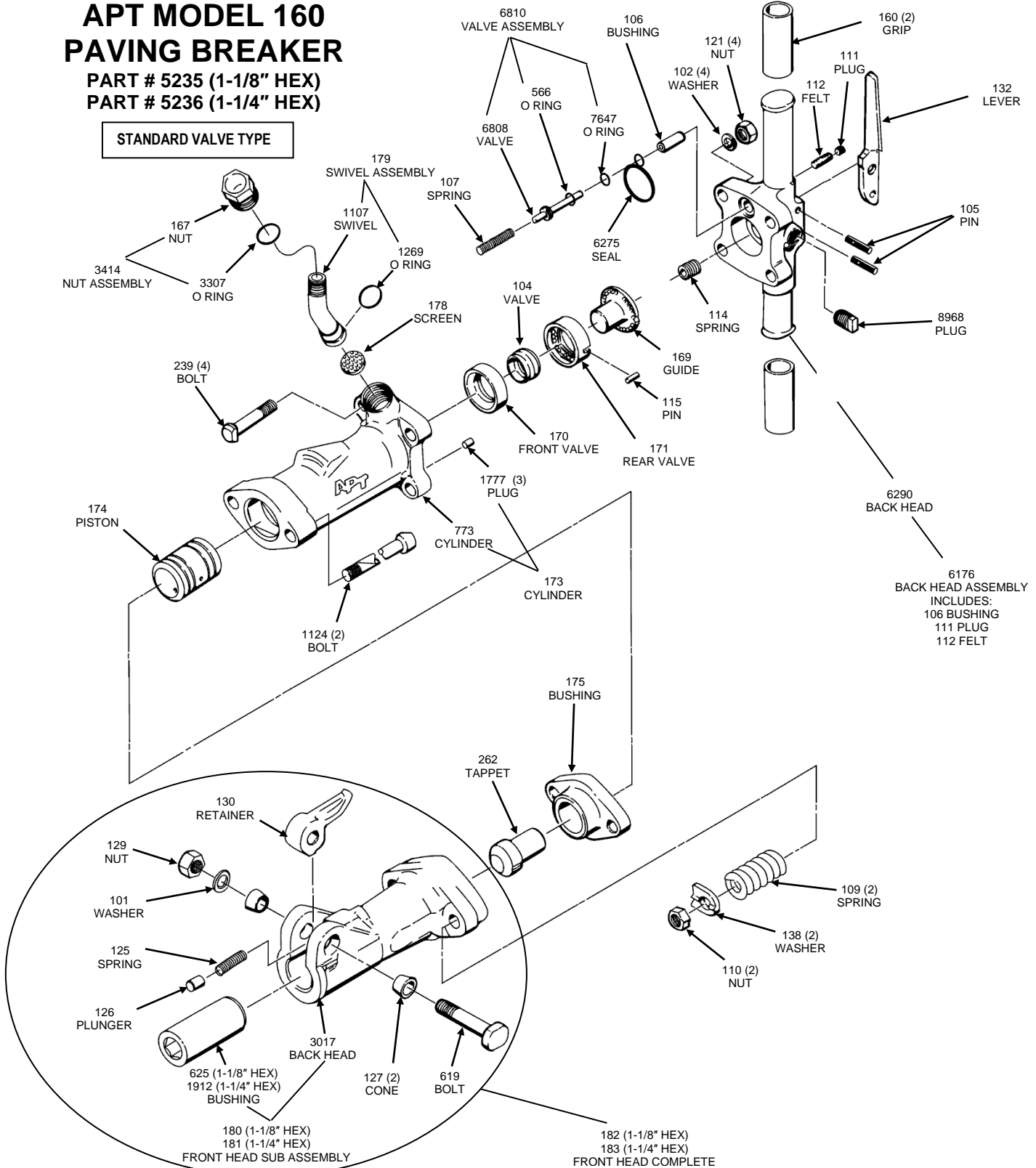
9949 Tabor Place, Santa Fe Springs, California, CA 90670, U.S.A.

## APT MODEL 160 PAVING BREAKER

PART # 5235 (1-1/8" HEX)

PART # 5236 (1-1/4" HEX)

STANDARD VALVE TYPE



For assistance in any sales, technical, maintenance or repair questions, please call APT @  
Phone (800) 532-7402 or (562) 204-1555 • Fax (800) 715-6502 or (562) 204-1773

[www.apr-tools.com](http://www.apr-tools.com) • e-mail [info@apr-tools.com](mailto:info@apr-tools.com)

© 2011 AMERICAN PNEUMATIC TOOLS, INC.

TDS-1015 Rev A



# American Pneumatic Tool

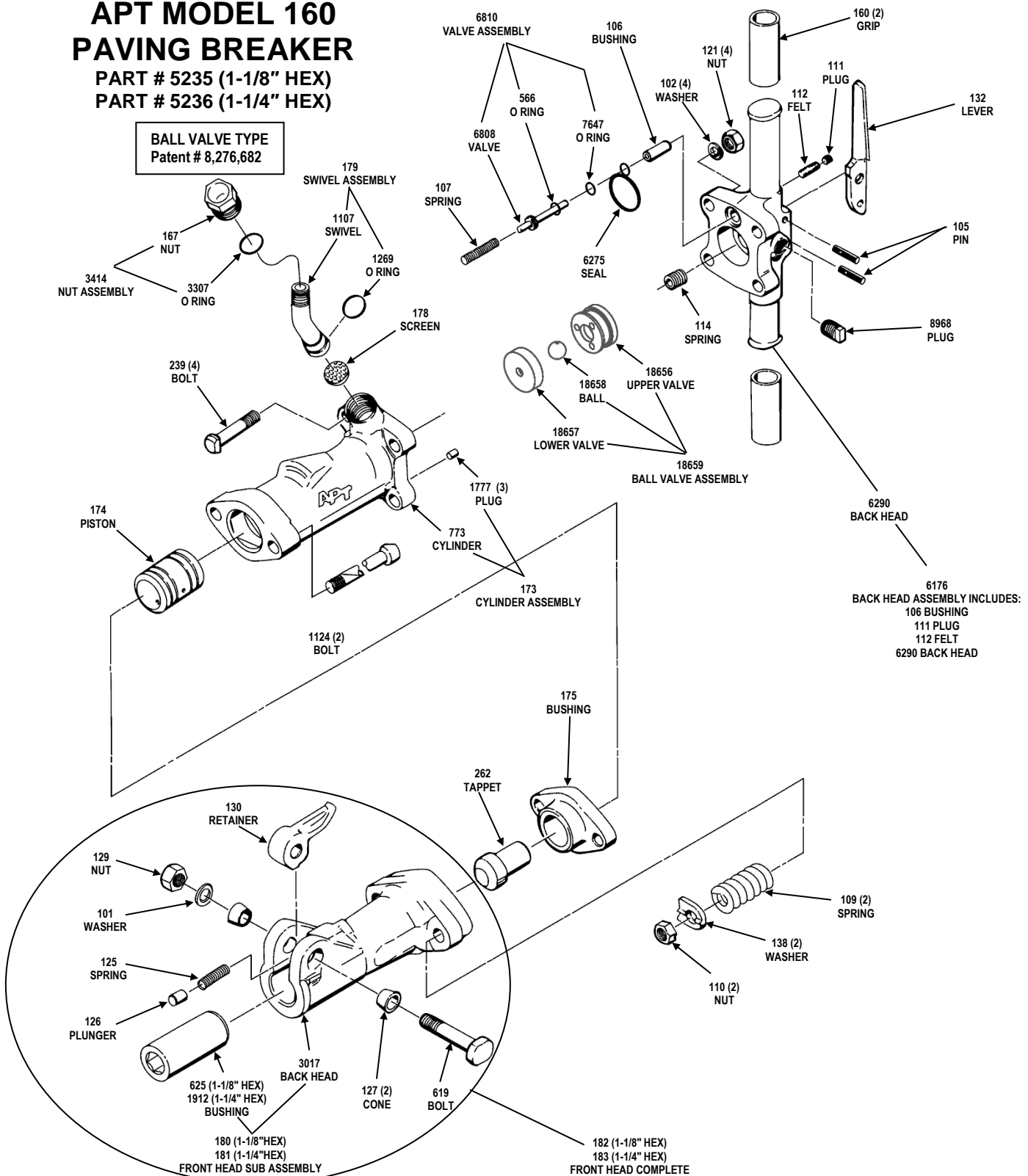
9949 Tabor Place, Santa Fe Springs, California, CA 90670, U.S.A.

## APT MODEL 160 PAVING BREAKER

PART # 5235 (1-1/8" HEX)

PART # 5236 (1-1/4" HEX)

BALL VALVE TYPE  
Patent # 8,276,682



For assistance in any sales, technical, maintenance or repair questions, please call APT @  
Phone (800) 532-7402 or (562) 204-1555 • Fax (800) 715-6502 or (562) 204-1773

[www.apr-tools.com](http://www.apr-tools.com) • e-mail [info@apr-tools.com](mailto:info@apr-tools.com)

© AMERICAN PNEUMATIC TOOLS, INC.

TDS-1104 Rev B



# American Pneumatic Tool

9949 Tabor Place, Santa Fe Springs, California, CA 90670, U.S.A.

## MODEL 160A AIRGO-LINE® PAVING BREAKER

PART # 17746 (1-1/8" HEX x 6")

PART # 17747 (1-1/4" HEX x 6")



The Model 160A *Airgo-Line*® Paving Breaker is a 60 lb class tool. The ergonomically designed handle helps reduce harmful vibration to the hands and arms of the operator. This versatile tool is based on the standard Model 160, the tool being easily converted to the standard handle or ergonomic handle or vice-versa. No power is lost from the standard tool but does increase efficiency and output due to the reduction in operator fatigue.

### SPECIFICATIONS

Part #	17746	17747
Chuck Size	1-1/8" Hex x 6"	1-1/4" Hex x 6"
Bore Diameter (inches)	2-1/4"	
Stroke (inches)	4-1/8"	
Blows per Minute	1680	
CFM @ 90 psi	60 - 65	
Weight (lbs)	70	
Length (inches)	28-1/4"	
Air Inlet Size	1/2" MALE NPT	

### FEATURES

- *AIRGO-LINE*® Ergonomic Back Head (interchangeable with standard Back Head) reduces operator fatigue
- New! Patented Automatic Ball Valve (Pat. # 8,276,682 B2)
- Drop forged, steel handle
- Built in automatic oiler
- Rubber handle grips
- Latch type retainer
- Swivel hose connection
- Four bolt back head
- Noise dampening muffler available
- Fitted with Universal hose connector

For assistance in any sales, technical, maintenance or repair questions, please call APT @

Phone: (800) 532-7402 or (562) 204-1555 • Fax: (800) 715-6502 or (562) 204-1773

Website: [www.apr-tools.com](http://www.apr-tools.com) • e-mail: [info@apr-tools.com](mailto:info@apr-tools.com)

TDS-1016 Rev B



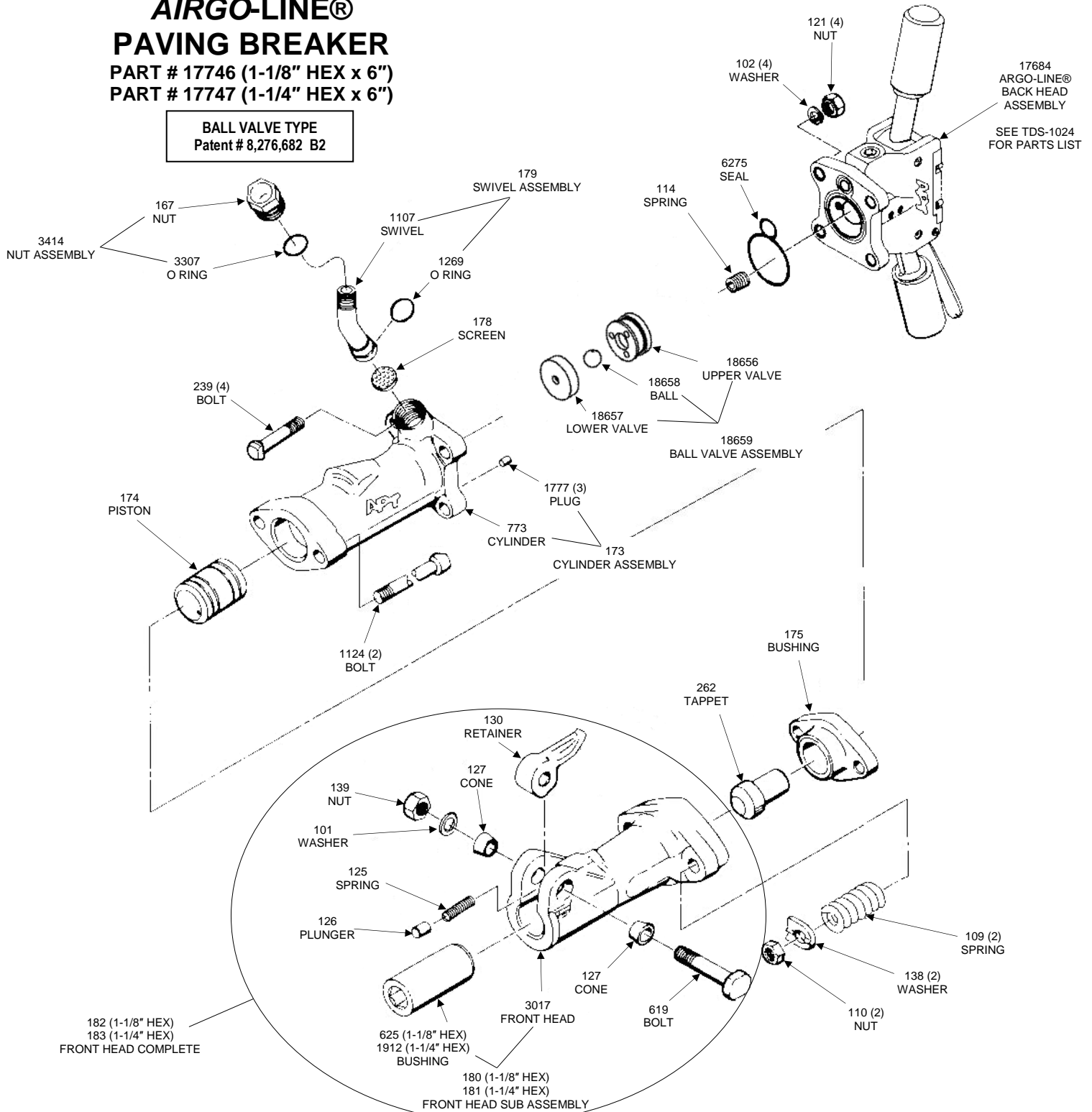
# American Pneumatic Tool

9949 Tabor Place, Santa Fe Springs, California, CA 90670, U.S.A.

## APT MODEL 160A AIRGO-LINE®

**PAVING BREAKER**  
PART # 17746 (1-1/8" HEX x 6")  
PART # 17747 (1-1/4" HEX x 6")

**BALL VALVE TYPE**  
Patent # 8,276,682 B2



SEE TDS-1024 FOR PARTS LIST

For assistance in any sales, technical, maintenance or repair questions, please call APT @  
Phone: (800) 532-7402 or (562) 204-1555 • Fax: (800) 715-6502 or (562) 204-1773

Website: [www.apptools.com](http://www.apptools.com) • e-mail: [info@apptools.com](mailto:info@apptools.com)

TDS-1017 Rev B

© 2011 AMERICAN PNEUMATIC TOOLS, INC



# American Pneumatic Tool

9949 Tabor Place, Santa Fe Springs, California, CA 90670, U.S.A.

## MODEL 190 PAVING BREAKER

PART # 5239 (1-1/8" HEX x 6")

PART # 5240 (1-1/4" HEX x 6")



Tough and dependable, the high performance Model 190 Paving Breaker is the most powerful tool American Pneumatic Tool makes. It is designed for big jobs such as heavy demolition and concrete breaking. Since the Model 190 has the ability to penetrate the hardest concrete it is the tool of choice for road building and foundation removal.

### SPECIFICATIONS

Part #	5239	5240
Chuck Size	1-1/8" Hex x 6"	1-1/4" Hex x 6"
Bore Diameter (inches)	2-5/8"	
Stroke (inches)	6-1/8"	
Blows per Minute	1350	
CFM @ 90 psi	75 - 80	
Weight (lbs)	91	
Length (inches)	29"	
Air Inlet Size	3/4" MALE NPT	

### FEATURES

- New! Patented Automatic Ball Valve (Pat. # 8,276,682 B2)
- Drop forged, steel handle
- Built in automatic oiler
- Rubber handle grips
- Latch type retainer
- Swivel hose connection
- Four bolt back head
- Noise dampening muffler available
- Fitted with Universal hose connector

For assistance in any sales, technical, maintenance or repair questions, please call APT @

Phone: (800) 532-7402 or (562) 204-1555 • Fax: (800) 715-6502 or (562) 204-1773

Website: [www.apr-tools.com](http://www.apr-tools.com) • e-mail: [info@apr-tools.com](mailto:info@apr-tools.com)

TDS-1018 Rev B







# American Pneumatic Tool

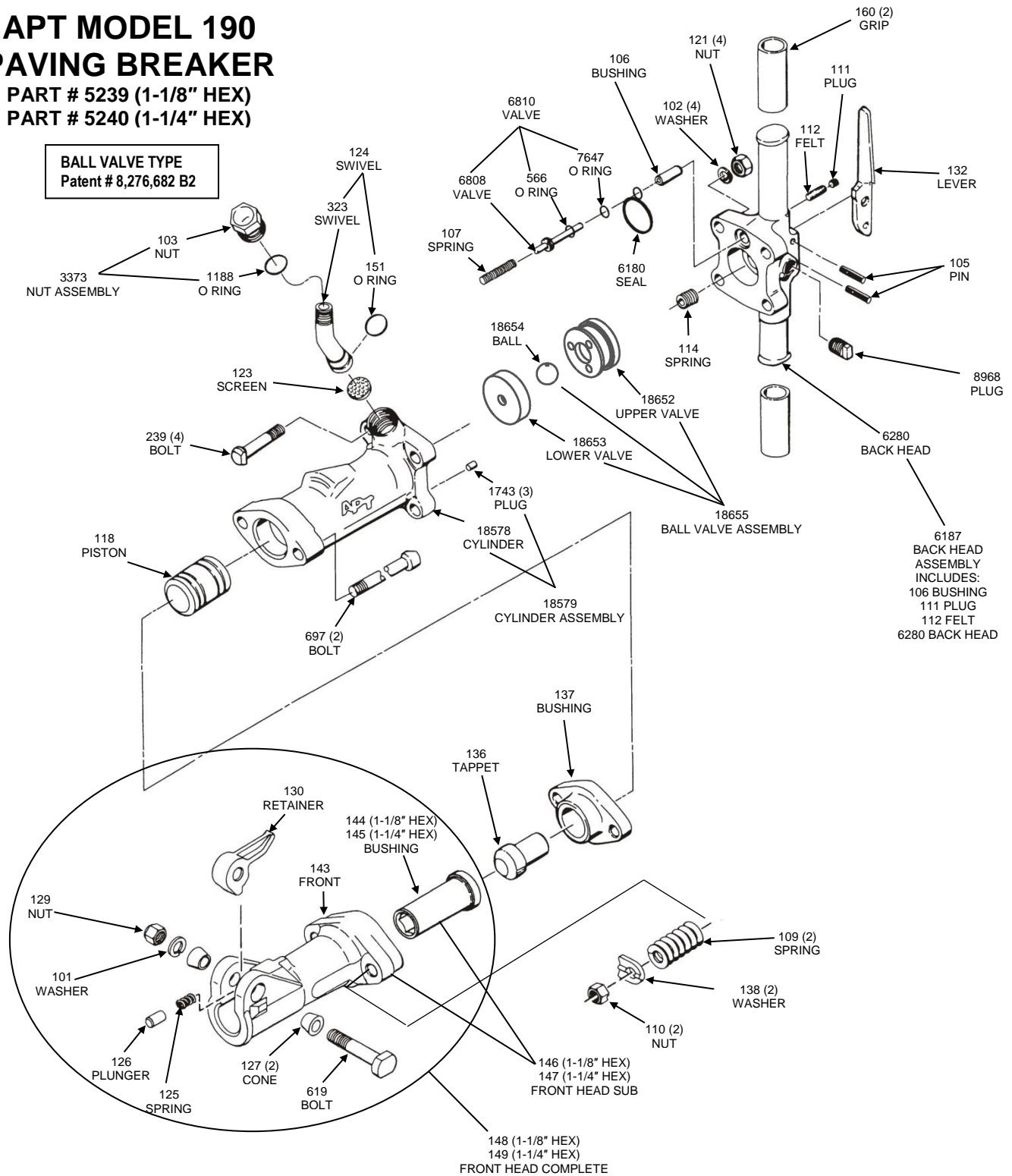
9949 Tabor Place, Santa Fe Springs, California, CA 90670, U.S.A.

## APT MODEL 190 PAVING BREAKER

PART # 5239 (1-1/8" HEX)

PART # 5240 (1-1/4" HEX)

BALL VALVE TYPE  
Patent # 8,276,682 B2



For assistance in any sales, technical, maintenance or repair questions, please call APT @

Phone (800) 532-7402 or (562) 204-1555 • Fax (800) 715-6502 or (562) 204-1773

[www.apr-tools.com](http://www.apr-tools.com) • e-mail [info@apr-tools.com](mailto:info@apr-tools.com)

© 2011 AMERICAN PNEUMATIC TOOLS, INC.

TDS-1105 Rev B



# American Pneumatic Tool

9949 Tabor Place, Santa Fe Springs, California, CA 90670, U.S.A.

## MODEL 190A AIRGO-LINE® PAVING BREAKER

PART # 18618 (1-1/8" HEX x 6")

PART # 18619 (1-1/4" HEX x 6")



The Model 190A *Airgo-Line*® Paving Breaker is a 90 lb class tool. The ergonomically designed handle helps reduce harmful vibration to the hands and arms of the operator. This versatile tool is based on the standard Model 190, the tool being easily converted to the standard handle or ergonomic handle or vice-versa. No power is lost from the standard tool but does increase efficiency and output due to the reduction in operator fatigue.

### SPECIFICATIONS

Part #	18618	18619
Chuck Size	1-1/8" Hex x 6"	1-1/4" Hex x 6"
Bore Diameter (inches)	2-5/8"	
Stroke (inches)	6-1/8"	
Blows per Minute	1350	
CFM @ 90 psi	75 - 80	
Weight (lbs)	90	
Length (inches)	31"	
Air Inlet Size	3/4" MALE NPT	

### FEATURES

- *AIRGO-LINE*® Ergonomic Back Head (interchangeable with standard Back Head) reduces operator fatigue
- New! Patented Automatic Ball Valve (Pat. # 8,276,682 B2)
- Built in automatic oiler
- Rubber handle grips
- Latch type retainer
- Swivel hose connection
- Four bolt back head
- Noise dampening muffler available
- Fitted with Universal hose connector

For assistance in any sales, technical, maintenance or repair questions, please call APT @

Phone: (800) 532-7402 or (562) 204-1555 • Fax: (800) 715-6502 or (562) 204-1773

Website: [www.apptools.com](http://www.apptools.com) • e-mail: [info@apptools.com](mailto:info@apptools.com)

TDS-1020 Rev B



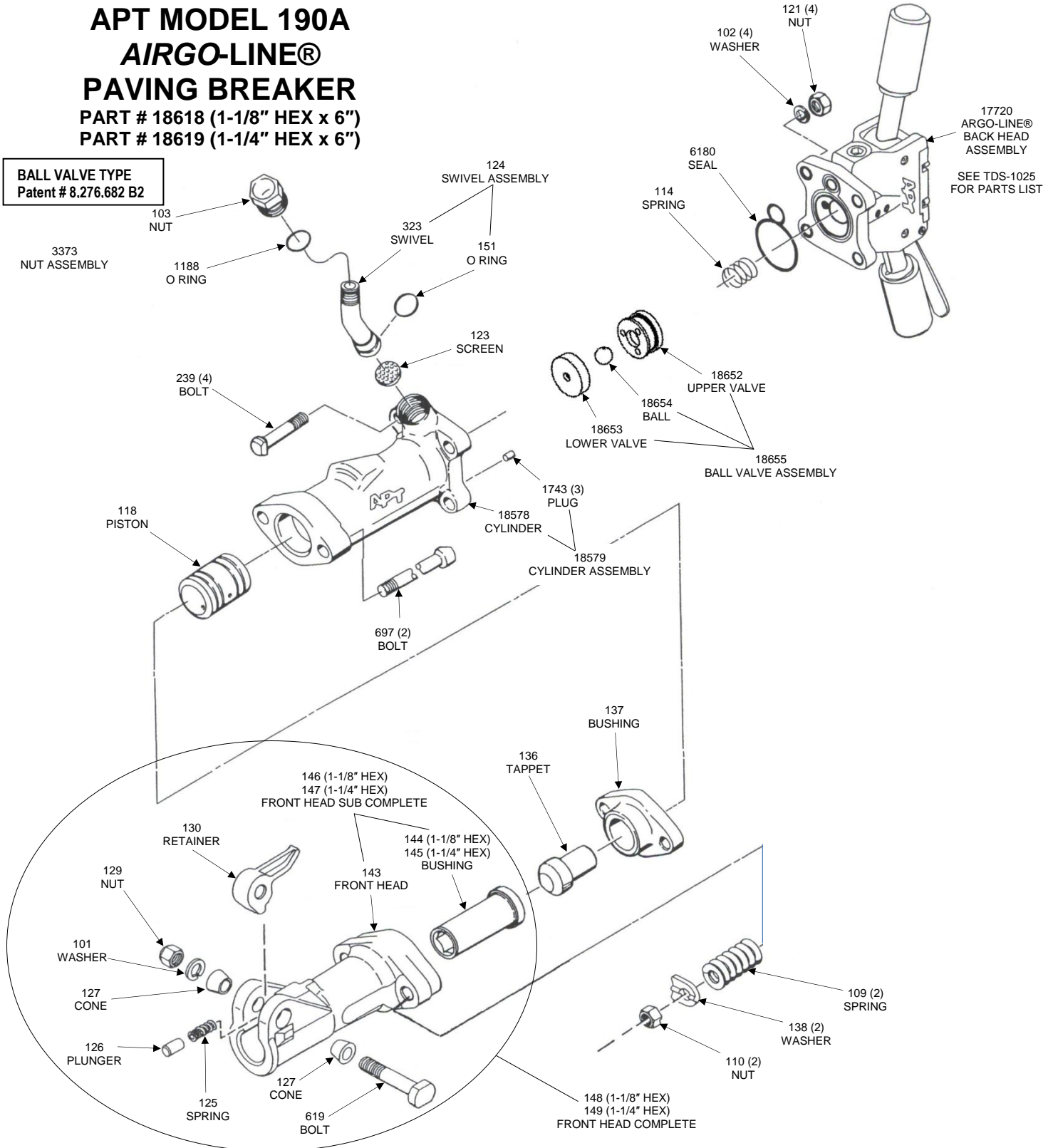
# American Pneumatic Tool

9949 Tabor Place, Santa Fe Springs, California, CA 90670, U.S.A.

## APT MODEL 190A AIRGO-LINE® PAVING BREAKER

PART # 18618 (1-1/8" HEX x 6")  
PART # 18619 (1-1/4" HEX x 6")

BALL VALVE TYPE  
Patent # 8.276.682 B2



For assistance in any sales, technical, maintenance or repair questions, please call APT @  
Phone: (800) 532-7402 or (562) 204-1555 • Fax: (800) 715-6502 or (562) 204-1773

Website: [www.apptools.com](http://www.apptools.com) • e-mail: [info@apptools.com](mailto:info@apptools.com)

TDS-1021 Rev B

© 2011 AMERICAN PNEUMATIC TOOLS, INC



# American Pneumatic Tool

9949 Tabor Place, Santa Fe Springs, California, CA 90670, U.S.A.

## AIRGO-LINE® BACK HEAD ASSEMBLIES FOR PAVING BREAKER MODELS 140A, 160A & 190A



140A



160A



190A

PART # 18034 (140A)  
PART # 17684 (160A)  
PART # 17720 (190A)

### AIRGO-LINE®

Ergonomic Back Head Assemblies are fitted with ergonomically designed handles to help reduce harmful vibrations being transmitted to the hands and arms of the operator. No hitting power is lost from the standard handle tool but they do increase efficiency and output due to the reduction in operator fatigue.

AIRGO-LINE® Ergonomic Back Heads are interchangeable with the standard Back Heads, conversions of tools from standard to ergonomic are done in a matter of minutes.

For assistance in any sales, technical, maintenance or repair questions, please call APT @

Phone: (800) 532-7402 or (562) 204-1555 • Fax: (800) 715-6502 or (562) 204-1773

Website: [www.apr-tools.com](http://www.apr-tools.com) • e-mail: [info@apr-tools.com](mailto:info@apr-tools.com)

TDS-1022 Rev A

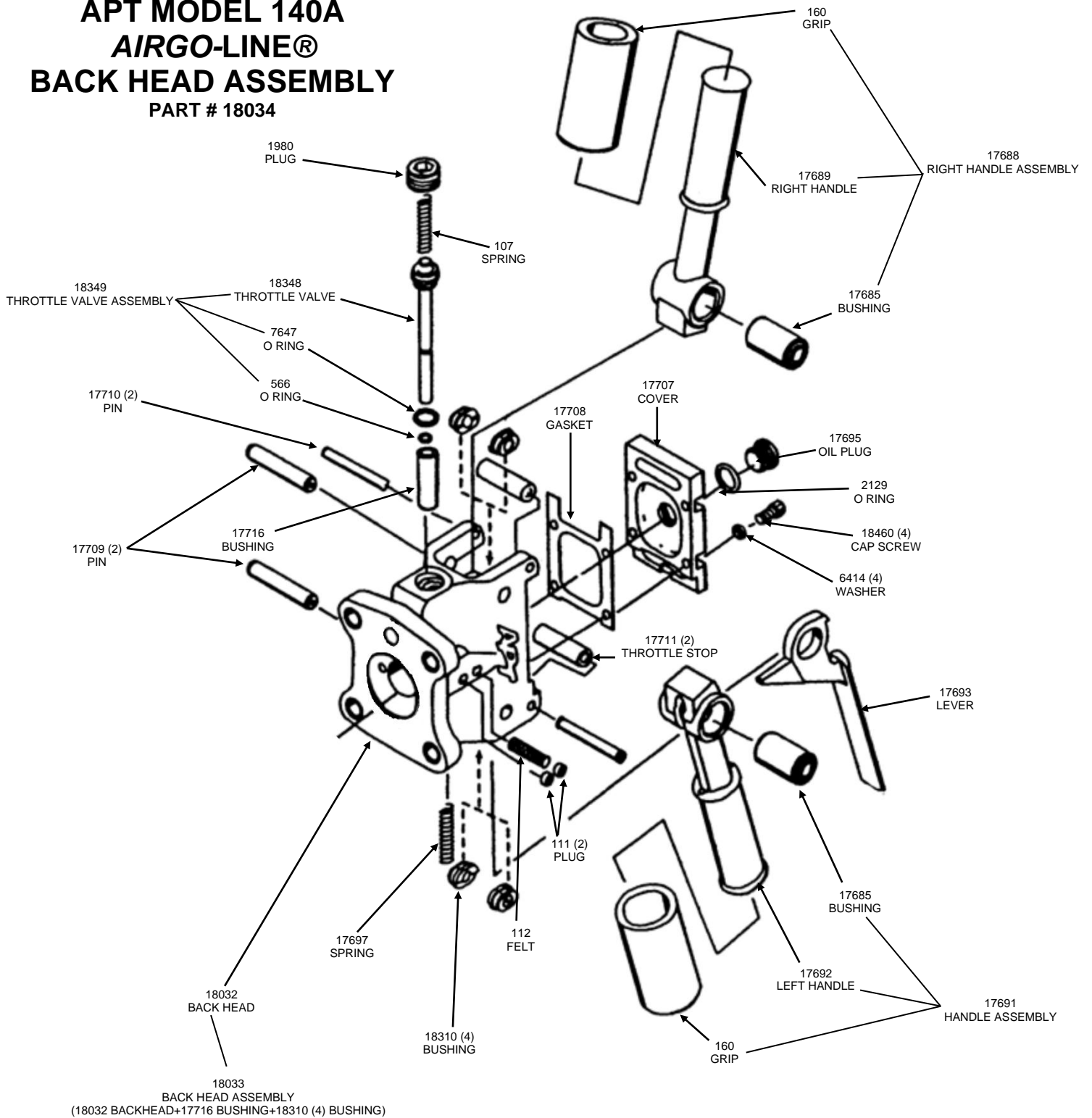
© 2011 AMERICAN PNEUMATIC TOOLS, INC.



# American Pneumatic Tool

9949 Tabor Place, Santa Fe Springs, California, CA 90670, U.S.A.

## APT MODEL 140A AIRGO-LINE® BACK HEAD ASSEMBLY PART # 18034



For assistance in any sales, technical, maintenance or repair questions, please call APT @  
Phone: (800) 532-7402 or (562) 204-1555 • Fax: (800) 715-6502 or (562) 204-1773

Website: [www.apr-tools.com](http://www.apr-tools.com) • e-mail: [info@apr-tools.com](mailto:info@apr-tools.com)

TDS-1023 Rev A

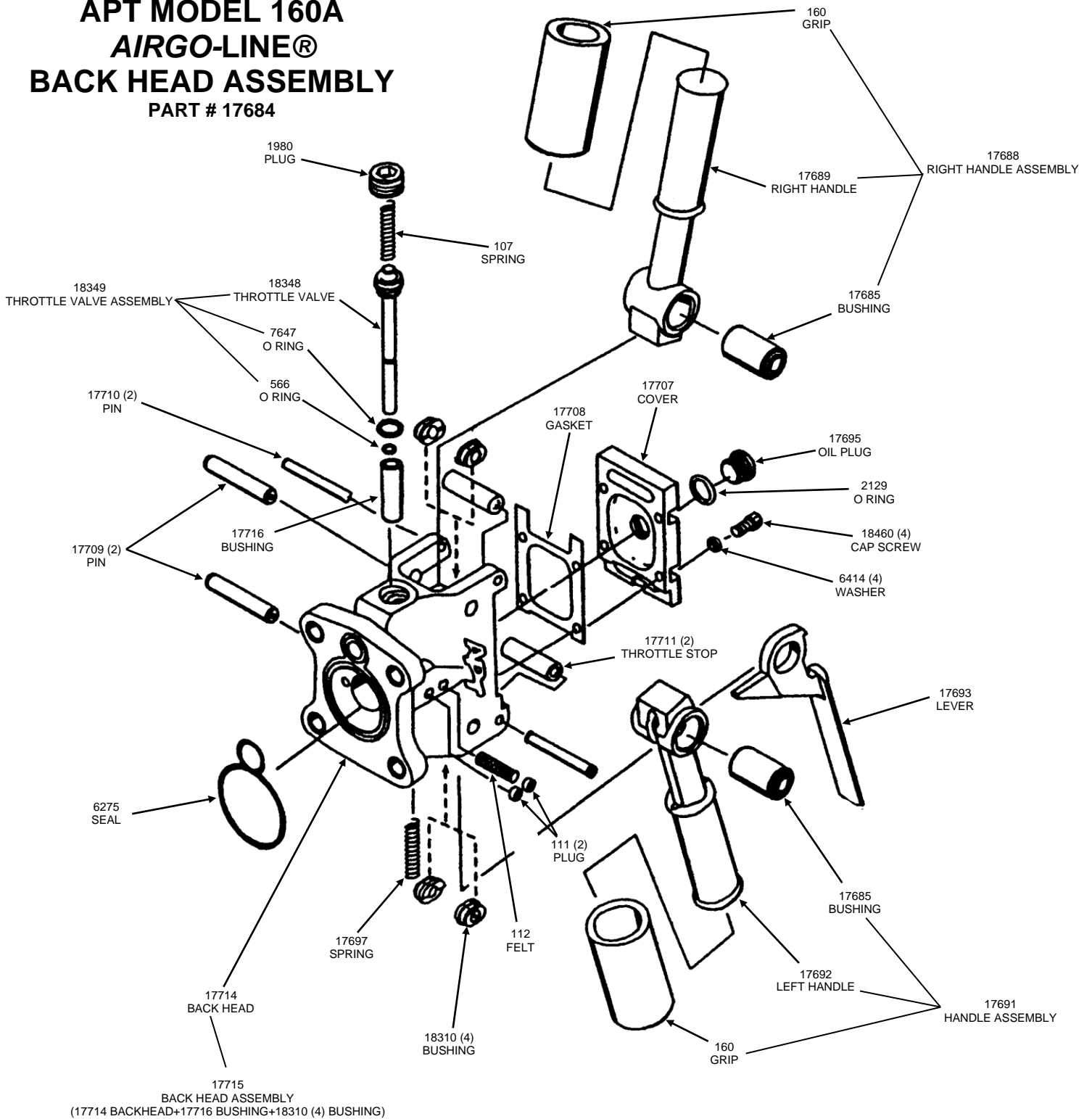
© 2011 AMERICAN PNEUMATIC TOOLS, INC.



# American Pneumatic Tool

9949 Tabor Place, Santa Fe Springs, California, CA 90670, U.S.A.

## APT MODEL 160A AIRGO-LINE® BACK HEAD ASSEMBLY PART # 17684



For assistance in any sales, technical, maintenance or repair questions, please call APT @  
Phone: (800) 532-7402 or (562) 204-1555 • Fax: (800) 715-6502 or (562) 204-1773

Website: [www.apr-tools.com](http://www.apr-tools.com) • e-mail: [info@apr-tools.com](mailto:info@apr-tools.com)

TDS-1024 Rev A

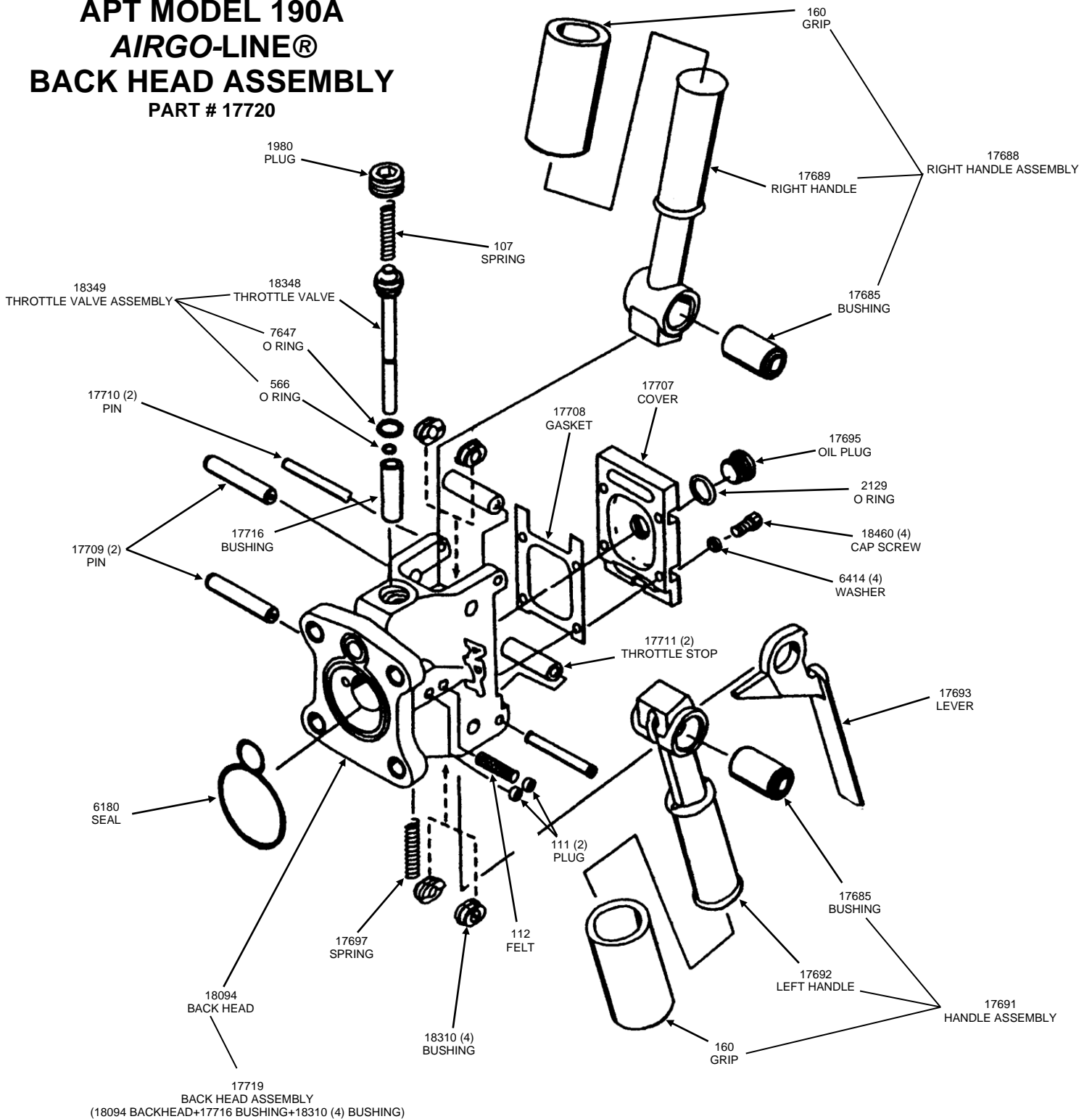
© 2011 AMERICAN PNEUMATIC TOOLS, INC.



# American Pneumatic Tool

9949 Tabor Place, Santa Fe Springs, California, CA 90670, U.S.A.

## APT MODEL 190A AIRGO-LINE® BACK HEAD ASSEMBLY PART # 17720



For assistance in any sales, technical, maintenance or repair questions, please call APT @  
Phone: (800) 532-7402 or (562) 204-1555 • Fax: (800) 715-6502 or (562) 204-1773

Website: [www.apr-tools.com](http://www.apr-tools.com) • e-mail: [info@apr-tools.com](mailto:info@apr-tools.com)

TDS-1025 Rev A

© 2011 AMERICAN PNEUMATIC TOOLS, INC.



# American Pneumatic Tool

9949 Tabor Place, Santa Fe Springs, California, CA 90670, U.S.A.

## PAVING BREAKERS

### ACCESSORIES, SERVICE AND REPAIR KITS



#### STANDARD MODELS

##### M117

6465 MUFFLER KIT  
18295 LATCH KIT  
16897 WHIP HOSE ASSEMBLY WITH OILER  
16895 WHIP HOSE ASSEMBLY WITHOUT OILER  
18774 O RING AND SEAL KIT  
17193 UNIVERSAL COUPLER

##### M140

18099 MUFFLER KIT  
18301 LATCH KIT  
18299 SIDE ROD KIT  
18331 WHIP HOSE ASSEMBLY WITH OILER  
18775 O RING AND SEAL KIT  
17194 UNIVERSAL COUPLER

##### M160

17752 MUFFLER KIT  
18296 LATCH KIT  
18298 SIDE ROD KIT  
18331 WHIP HOSE ASSEMBLY WITH OILER  
18777 O RING AND SEAL KIT  
17194 UNIVERSAL COUPLER

##### M190

17753 MUFFLER KIT  
18296 LATCH KIT  
18581 SIDE ROD KIT  
18331 WHIP HOSE ASSEMBLY WITH OILER  
18779 O RING AND SEAL KIT  
17195 UNIVERSAL COUPLER

##### ALL MODELS

18754 SAFETY CABLE, HOSE TO HOSE  
18755 SAFETY CABLE, HOSE TO TOOL

#### AIRGO-LINE MODELS

##### M140A

18099 MUFFLER KIT  
18301 LATCH KIT  
18299 SIDE ROD KIT  
18331 WHIP HOSE ASSEMBLY WITH OILER  
18775 O RING AND SEAL KIT  
17194 UNIVERSAL COUPLER

##### M160A

17752 MUFFLER KIT  
18296 LATCH KIT  
18298 SIDE ROD KIT  
18331 WHIP HOSE ASSEMBLY WITH OILER  
18778 O RING AND SEAL KIT  
17194 UNIVERSAL COUPLER

##### M190A

17753 MUFFLER KIT  
18296 LATCH KIT  
18581 SIDE ROD KIT  
18331 WHIP HOSE ASSEMBLY WITH OILER  
18780 O RING AND SEAL KIT  
17195 UNIVERSAL COUPLER

##### ALL MODELS

18754 SAFETY CABLE, HOSE TO HOSE  
18755 SAFETY CABLE, HOSE TO TOOL

#### DISCONTINUED MODELS

##### M180

17753 MUFFLER KIT  
18296 LATCH KIT  
18298 SIDE ROD KIT  
18331 WHIP HOSE ASSEMBLY WITH OILER  
18779 O RING AND SEAL KIT  
17195 UNIVERSAL COUPLER  
18638 CONVERSION KIT TO M190 (1-1/8", NO LATCH PARTS)  
18639 CONVERSION KIT TO M190 (1-1/4", NO LATCH PARTS)  
18644 CONVERSION KIT TO M190 (1-1/8", COMPLETE)  
18645 CONVERSION KIT TO M190 (1-1/4", COMPLETE)

For assistance in any sales, technical, maintenance or repair questions, please call APT @  
Phone: (800) 532-7402 or (562) 204-1555 • Fax: (800) 715-6502 or (562) 204-1773

Website: [www.apr-tools.com](http://www.apr-tools.com) • e-mail: [info@apr-tools.com](mailto:info@apr-tools.com)

TDS-1026 Rev A